

# Product Data Sheet



## VW 202/20R

EAN 4047526620851

ID 620856

**Wheels with 'Blickle Soft' soft rubber tyres, with pressed steel rim**

### Wheels:

Made of 'Blickle Soft' highly elastic soft rubber, round profile, highest operational comfort, exceptionally low-noise operation, excellent floor preservation.

**Tread/tyre:** Made of "Blickle Soft" soft rubber.

**Tread colours:** black

### Wheel centre/rim:

Pressed steel rim with tubular steel hub, pressed rim (special shock and impact-resistant design), zinc-plated, blue-passivated, Cr6-free. Tyre pressed with rim.

**Wheel centre colour:** blue passivated



### Rolling resistance

■■■■ □ □ Good

### Operating noise

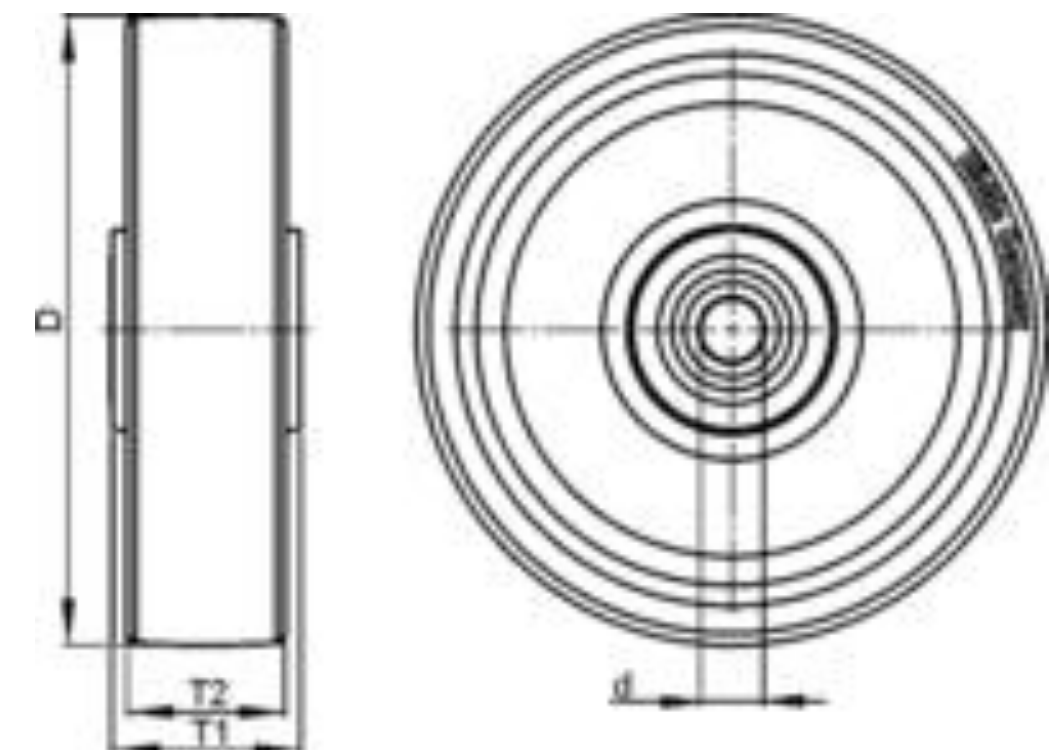
■■■■■ Excellent

### Floor surface preservation

■■■■■ Excellent

### Technical data

Wheel Ø		200 mm (D)
Tyre width		50 mm (T2)
Load capacity		100 kg
Axle bore Ø		20 mm (d)
Hub length		60 mm (T1)
unit weight		1,7 kg
Temperature resistance		-25 ° C
Temperature resistance to tread and tyre hardness		80 ° C
tread and tyre hardness		50° Shore A
Bearing type:		Roller bearing



# Product Data Sheet



## Variants



### **VW 202/20R-SG**

Wheels with 'Blickle Soft' soft rubber tyres, with pressed steel rim