

# EA986MG- 350



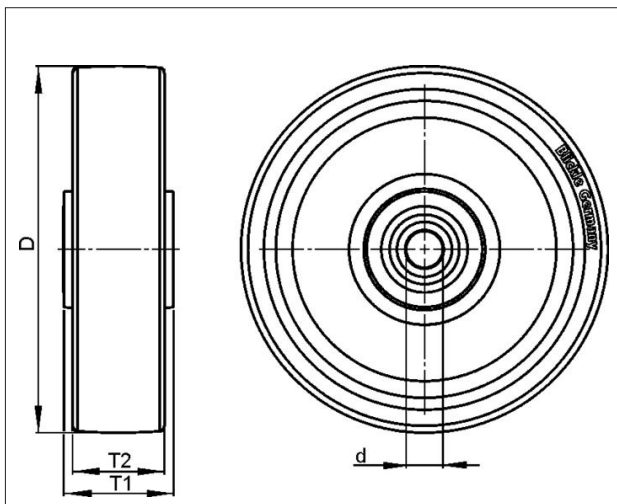
**EAN: 4047526041311**

**ID: 41319**

**Wheel with standard solid rubber tyres, with pressed steel rim**

**Tyre & running tread:** Made of standard solid rubber, very high operational comfort, low-noise operation, very good floor preservation, PAH conform acc. to EU directive 2005/69/EC. Tread colour: black

**Rim / wheel centre:** Pressed steel rim with tubular steel hub, bolted, zinc-plated, blue-passivated, Cr6-free.



### Technical data

Wheel Ø (D)	350 mm
Wheel width (T2)	70 mm
Load capacity	300 kg
Axle bore Ø (d)	25 mm
Hub length (T1)	80 mm
Unit weight	5.348 kg
Temperature range from	-25 °C
Temperature range to	80 °C
Tread & tyre hardness	80° Shore A
Bearing type	

Rolling resistance	<input checked="" type="checkbox"/> <input checked="" type="checkbox"/> <input type="checkbox"/> <input type="checkbox"/> <input type="checkbox"/>
Operating noise	<input checked="" type="checkbox"/> <input checked="" type="checkbox"/> <input checked="" type="checkbox"/> <input checked="" type="checkbox"/> <input type="checkbox"/>
Floor surface preservation	<input checked="" type="checkbox"/> <input checked="" type="checkbox"/> <input checked="" type="checkbox"/> <input checked="" type="checkbox"/> <input type="checkbox"/>