

EA986MG- 5



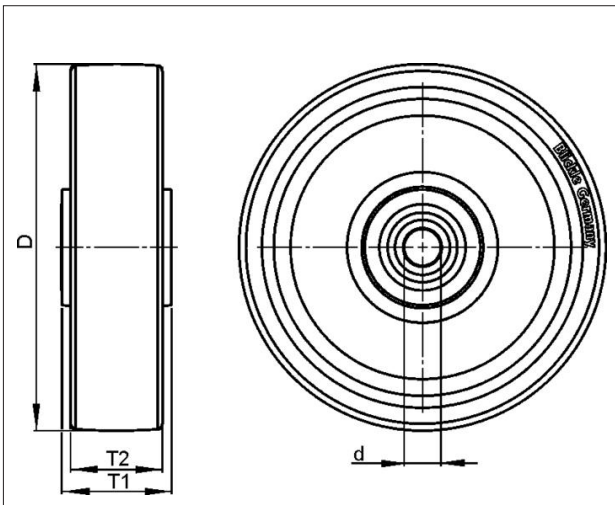
EAN: 4047526003029

ID: 3020

Wheels with 'Blickle Comfort' two-component solid rubber tyres, with pressed steel rim

Tyre & running tread: Made of 'Blickle Comfort' two-component solid rubber, with hard rubber core and highly elastic rubber tread, very high operational comfort, low-noise operation, compared to standard solid rubber the operational comfort and the load capacity are increased whereas the rolling resistance is reduced, very good floor preservation. Tread colour: black

Rim / wheel centre: Pressed steel rim with tubular steel hub, pressed rim (special shock and impact-resistant design), zinc-plated, blue-passivated, Cr6-free. Tyre pressed with rim.



Technical data

Wheel Ø (D)	180 mm
Wheel width (T2)	50 mm
Load capacity	300 kg
Axle bore Ø (d)	20 mm
Hub length (T1)	60 mm
Unit weight	1.46 kg
Temperature range from	-25 °C
Temperature range to	80 °C
Tread & tyre hardness	65° Shore A
Bearing type	

Rolling resistance	■ ■ ■ ■ ■
Operating noise	■ ■ ■ ■ ■
Floor surface preservation	■ ■ ■ ■ ■

RD 182/20R

Variants



With non-marking grey
tyre, 56° shore A