

# EA986MG-80



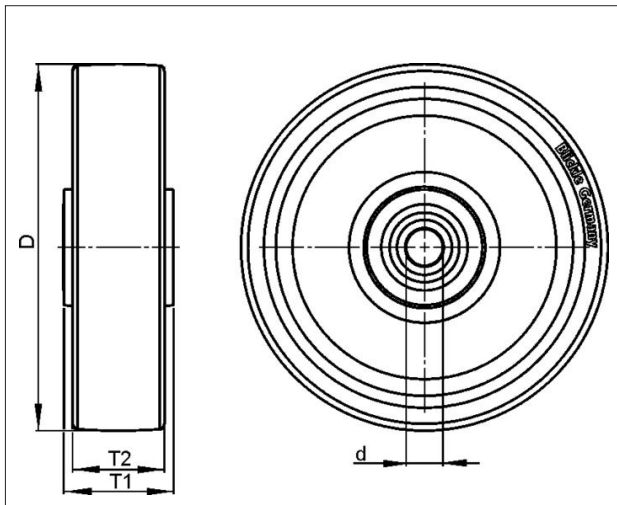
**EAN: 4047526040949**

**ID: 40949**

**Wheel with standard solid rubber tyres, with pressed steel rim, reinforced design**




**Tyre & running tread:** Made of standard solid rubber, very high operational comfort, low-noise operation, very good floor preservation, PAH conform acc. to EU directive 2005/69/EC. Tread colour: black

**Rim / wheel centre:** Pressed steel rim with tubular steel hub, bolted, zinc-plated, blue-passivated, Cr6-free.



### Technical data

Wheel Ø (D)	80 mm
Wheel width (T2)	25 mm
Load capacity	50 kg
Axle bore Ø (d)	12 mm
Hub length (T1)	35 mm
Unit weight	0.235 kg
Temperature range from	-25 °C
Temperature range to	80 °C
Tread & tyre hardness	80° Shore A
Bearing type	



Rolling resistance	
Operating noise	
Floor surface preservation	

**Blickle Räder+Rollen GmbH u. Co. KG**

Heinrich-Blickle-Straße 1 · 72348 Rosenfeld · Germany  
 Telefon: +49 7428 932-0 · Telefax: +49 7428 932-209  
 E-Mail: info@blickle.com · Internet: www.blickle.com

© Blickle Räder+Rollen GmbH u. Co. KG 2013  
 Rosenfeld · Germany

V 80/12R

Variants	
	Antistatic version
	With non-marking grey tyre