

# EA986MH-100



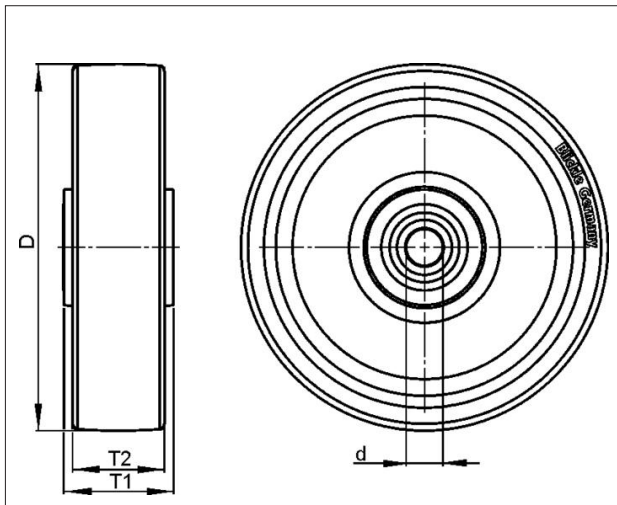
EAN: 4047526043735

ID: 43737

**Heavy duty wheel with elastic solid rubber tyres 'Blickle EasyRoll', with nylon wheel centre**

**Tyre & running tread:** Made of high-quality elastic solid rubber, in smooth rolling quality "Blickle EasyRoll", very high operational comfort, low-noise operation, low rolling resistance, very good floor preservation, vulcanised on the wheel centre. Tread colour: black

**Rim / wheel centre:** Pressed thick-walled steel, triple-welded, with tubular steel hub, lacquered. Vulcanised tyre.



## Technical data

Wheel Ø (D)	100 mm
Wheel width (T2)	45 mm
Load cap. with 4 km/h	270 kg
Load cap. with 10 km/h	0 kg
Axle bore Ø (d)	20 mm
Hub length (T1)	45 mm
Unit weight	0.528 kg
Temperature range from	-25 °C
Temperature range to	80 °C
Tread & tyre hardness	65° Shore A
Bearing type	

Rolling resistance	<input checked="" type="checkbox"/> <input checked="" type="checkbox"/> <input checked="" type="checkbox"/> <input checked="" type="checkbox"/> <input type="checkbox"/>
Operating noise	<input checked="" type="checkbox"/> <input checked="" type="checkbox"/> <input checked="" type="checkbox"/> <input checked="" type="checkbox"/> <input type="checkbox"/>
Floor surface preservation	<input checked="" type="checkbox"/> <input checked="" type="checkbox"/> <input checked="" type="checkbox"/> <input checked="" type="checkbox"/> <input type="checkbox"/>

**Blickle Räder+Rollen GmbH u. Co. KG**

Heinrich-Blickle-Straße 1 · 72348 Rosenfeld · Germany  
 Telefon: +49 7428 932-0 · Telefax: +49 7428 932-209  
 E-Mail: info@blickle.com · Internet: www.blickle.com

© Blickle Räder+Rollen GmbH u. Co. KG 2013  
 Rosenfeld · Germany