

EA986MJ-100



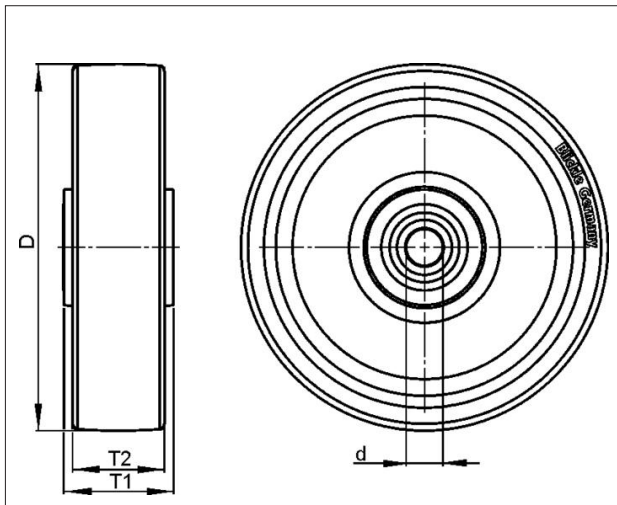
EAN: 4047526020392

ID: 20396

Heavy duty wheel with elastic solid rubber tyres 'Blickle EasyRoll', with nylon wheel centre

Tyre & running tread: Made of high-quality elastic solid rubber, in smooth rolling quality "Blickle EasyRoll", very high operational comfort, low-noise operation, low rolling resistance, very good floor preservation, vulcanised on the wheel centre. Tread colour: black

Rim / wheel centre: Made of high-quality, impact-resistant nylon. Vulcanised tyre.



Technical data

Wheel Ø (D)	100 mm
Wheel width (T2)	38 mm
Load capacity	200 kg
Axle bore Ø (d)	15 mm
Hub length (T1)	45 mm
Unit weight	0.271 kg
Temperature range from	-25 °C
Temperature range to	80 °C
Tread & tyre hardness	65° Shore A
Bearing type	




Rolling resistance	<input checked="" type="checkbox"/> <input checked="" type="checkbox"/> <input checked="" type="checkbox"/> <input checked="" type="checkbox"/> <input type="checkbox"/>
Operating noise	<input checked="" type="checkbox"/> <input checked="" type="checkbox"/> <input checked="" type="checkbox"/> <input checked="" type="checkbox"/> <input type="checkbox"/>
Floor surface preservation	<input checked="" type="checkbox"/> <input checked="" type="checkbox"/> <input checked="" type="checkbox"/> <input checked="" type="checkbox"/> <input type="checkbox"/>

Blickle Räder+Rollen GmbH u. Co. KG

Heinrich-Blickle-Straße 1 · 72348 Rosenfeld · Germany
 Telefon: +49 7428 932-0 · Telefax: +49 7428 932-209
 E-Mail: info@blickle.com · Internet: www.blickle.com

© Blickle Räder+Rollen GmbH u. Co. KG 2013
 Rosenfeld · Germany

POEV 100/15R

Variants	
	With non-marking blue tyre
	With non-marking grey tyre
	With stainless steel roller bearing in the wheel hub