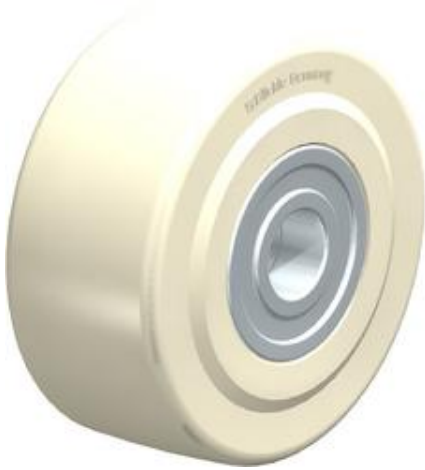


EA986ML- 125



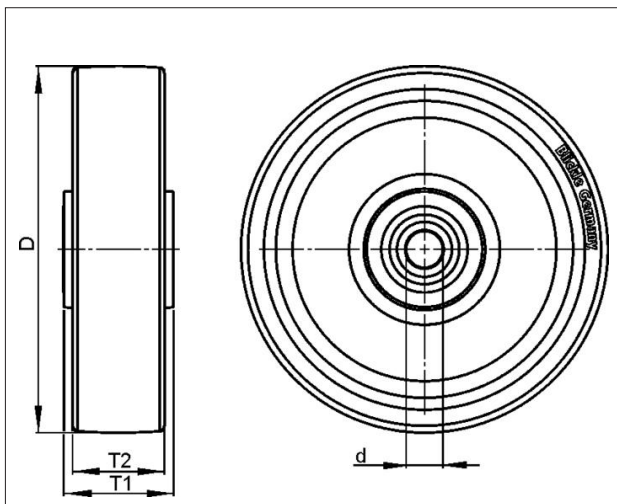
EAN: 4047526238582

ID: 238584

Heavy duty wheels made of cast nylon




**Tyre & running tread:** Made of high-quality, impact-resistant, hard and tough, highly compressed cast nylon with outstanding load capacity, very low rolling and swivelling resistance, smooth running performance on even floors, very high abrasion resistance. Tread colour: natural beige

**Rim / wheel centre:** -



Technical data

Wheel Ø (D)	125 mm
Wheel width (T2)	55 mm
Load capacity	2000 kg
Axle bore Ø (d)	25 mm
Hub length (T1)	60 mm
Unit weight	1.1 kg
Temperature range from	-25 °C
Temperature range to	80 °C
Tread & tyre hardness	80° Shore D
Bearing type	

Rolling resistance	
Operating noise	
Floor surface preservation	

**Blickle Räder+Rollen GmbH u. Co. KG**

Heinrich-Blickle-Straße 1 · 72348 Rosenfeld · Germany  
 Telefon: +49 7428 932-0 · Telefax: +49 7428 932-209  
 E-Mail: info@blickle.com · Internet: www.blickle.com

© Blickle Räder+Rollen GmbH u. Co. KG 2013  
 Rosenfeld · Germany