

EA986ML- 250



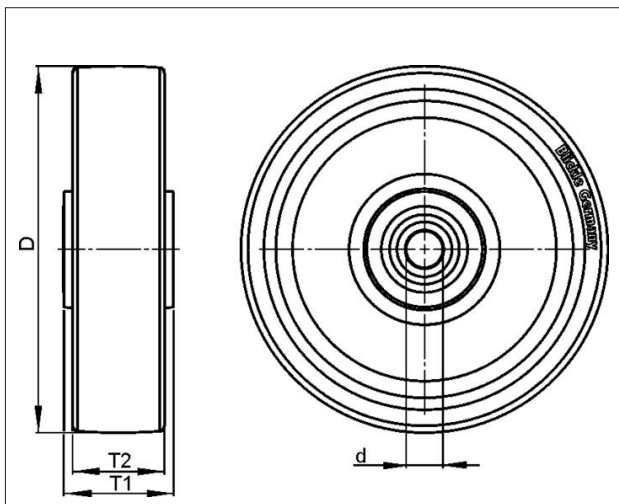
EAN: 4047526238629

ID: 238626

Heavy duty wheels made of cast nylon

Tyre & running tread: Made of high-quality, impact-resistant, hard and tough, highly compressed cast nylon with outstanding load capacity, very low rolling and swivelling resistance, smooth running performance on even floors, very high abrasion resistance. Tread colour: natural beige

Rim / wheel centre: -



Technical data

Wheel Ø (D)	250 mm
Wheel width (T2)	65 mm
Load capacity	5000 kg
Axle bore Ø (d)	45 mm
Hub length (T1)	70 mm
Unit weight	4.982 kg
Temperature range from	-25 °C
Temperature range to	80 °C
Tread & tyre hardness	80° Shore D
Bearing type	

Rolling resistance	■ ■ ■ ■ ■
Operating noise	■ ■ □ □ □
Floor surface preservation	■ ■ □ □ □