

EA986MM-300



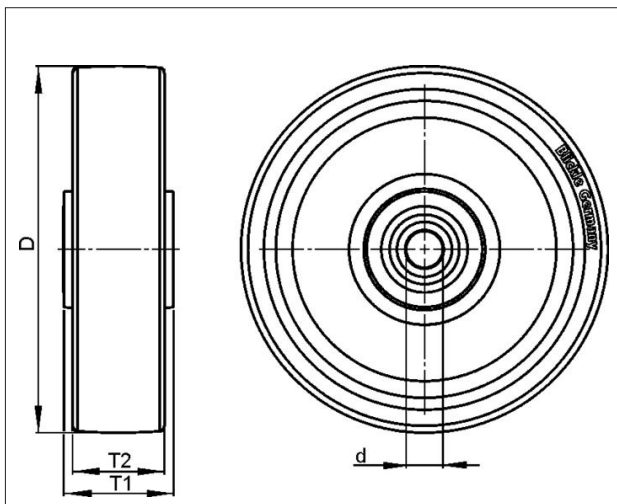
EAN: 4047526264055

ID: 264051

Heavy duty wheel with super-elastic solid rubber tyre

Tyre & running tread: Made of super-elastic solid rubber, tough and hard rubber core, steel-wire reinforced, very high operational comfort, good floor preservation. Tread colour: black

Rim / wheel centre: Pressed steel rim, pressed and bolted, with welded tubular steel hub, or pressed steel rim with reinforced rim version, zinc-plated, blue-passivated, Cr6-free.



Technical data

Wheel Ø (D)	306 mm
Rim dimension	2.50C-4
Wheel width (T2)	105 mm
Tyre dimension	4.00-4
Profile	R50
Load cap. with 6 km/h	450 kg
Load cap. with 25 km/h	400 kg
Axle bore Ø (d)	25 mm
Hub length (T1)	75 mm
Unit weight	8.85 kg
Temperature range from	-25 °C
Temperature range to	80 °C
Tread & tyre hardness	65° Shore A
Bearing type	

Rolling resistance



Operating noise



Floor surface preservation



Blickle Räder+Rollen GmbH u. Co. KG

Heinrich-Blickle-Straße 1 · 72348 Rosenfeld · Germany
 Telefon: +49 7428 932-0 · Telefax: +49 7428 932-209
 E-Mail: info@blickle.com · Internet: www.blickle.com

© Blickle Räder+Rollen GmbH u. Co. KG 2013
 Rosenfeld · Germany