

# EA986MM- 400



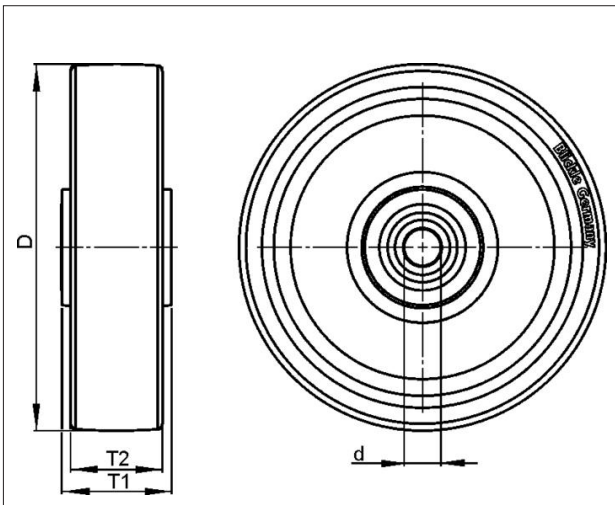
**EAN: 4047526621841**

**ID: 621847**

**Heavy duty wheel with super-elastic solid rubber tyre**

**Tyre & running tread:** Made of super-elastic solid rubber, tough and hard rubber core, steel-wire reinforced, very high operational comfort, good floor preservation. Tread colour: black

**Rim / wheel centre:** Pressed steel rim, pressed and bolted, with welded tubular steel hub, or pressed steel rim with reinforced rim version, zinc-plated, blue-passivated, Cr6-free.



## Technical data

Wheel Ø (D)	405 mm
Rim dimension	3.00D-8
Wheel width (T2)	105 mm
Tyre dimension	4.00-8
Profile	R50
Load cap. with 6 km/h	950 kg
Load cap. with 25 km/h	730 kg
Axle bore Ø (d)	25 mm
Hub length (T1)	90 mm
Unit weight	15.66 kg
Temperature range from	-25 °C
Temperature range to	80 °C
Tread & tyre hardness	65° Shore A
Bearing type	

Rolling resistance



Operating noise



Floor surface preservation



**Blickle Räder+Rollen GmbH u. Co. KG**

Heinrich-Blickle-Straße 1 · 72348 Rosenfeld · Germany  
 Telefon: +49 7428 932-0 · Telefax: +49 7428 932-209  
 E-Mail: info@blickle.com · Internet: www.blickle.com

© Blickle Räder+Rollen GmbH u. Co. KG 2013  
 Rosenfeld · Germany