

EA986MN-100

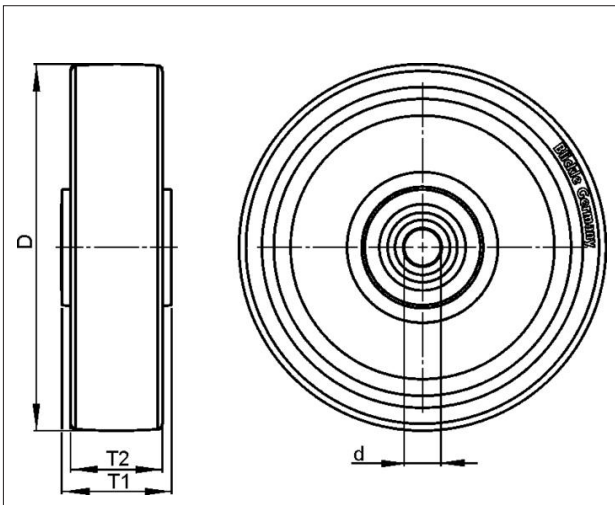


EAN: 4047526573881

ID: 573881




Heavy duty wheel with **Blickle Softhane®** polyurethane tread, with aluminium wheel centre

Tyre & running tread: Made of high-quality, reaction-injected polyurethane-elastomer **Blickle Softhane®**, very high operational comfort through the especially thick, elastic tread, low-noise operation, low rolling resistance, very good floor preservation, very high abrasion resistance, high cut and tear propagation resistance, very good chemical connection with the wheel centre. Tread colour: green
Rim / wheel centre: Made of die-cast aluminium. Casted tread.



Technical data

| | |
|------------------------|-------------|
| Wheel Ø (D) | 100 mm |
| Wheel width (T2) | 40 mm |
| Load capacity | 300 kg |
| Axle bore Ø (d) | 15 mm |
| Hub length (T1) | 40 mm |
| Unit weight | 0.472 kg |
| Temperature range from | -25 °C |
| Temperature range to | 70 °C |
| Tread & tyre hardness | 75° Shore A |
| Bearing type | |

| | |
|----------------------------|---|
| Rolling resistance |  |
| Operating noise |  |
| Floor surface preservation |  |

Blickle Räder+Rollen GmbH u. Co. KG

Heinrich-Blickle-Straße 1 · 72348 Rosenfeld · Germany
 Telefon: +49 7428 932-0 · Telefax: +49 7428 932-209
 E-Mail: info@blickle.com · Internet: www.blickle.com

© Blickle Räder+Rollen GmbH u. Co. KG 2013
 Rosenfeld · Germany