

EA986MN-125

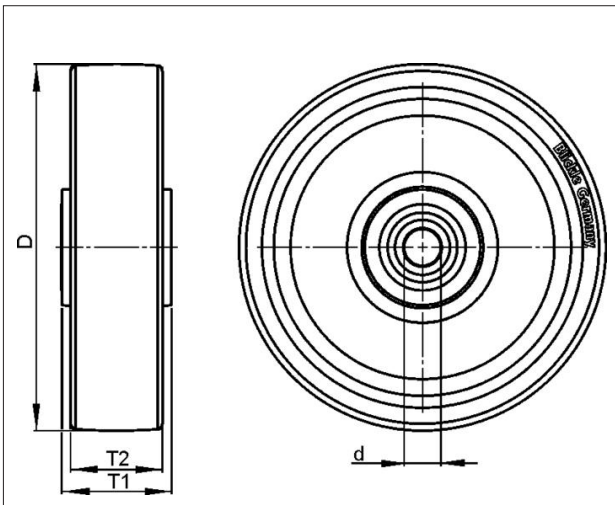


EAN: 4047526573898

ID: 573899

Heavy duty wheel with **Blickle Softhane®** polyurethane tread, with aluminium wheel centre

**Tyre & running tread:** Made of high-quality, reaction-injected polyurethane-elastomer **Blickle Softhane®**, very high operational comfort through the especially thick, elastic tread, low-noise operation, low rolling resistance, very good floor preservation, very high abrasion resistance, high cut and tear propagation resistance, very good chemical connection with the wheel centre. Tread colour: green  
**Rim / wheel centre:** Made of die-cast aluminium. Casted tread.



Technical data

Wheel Ø (D)	125 mm
Wheel width (T2)	40 mm
Load capacity	350 kg
Axle bore Ø (d)	15 mm
Hub length (T1)	45 mm
Unit weight	0.633 kg
Temperature range from	-25 °C
Temperature range to	70 °C
Tread & tyre hardness	75° Shore A
Bearing type	

Rolling resistance	<input checked="" type="checkbox"/> <input checked="" type="checkbox"/> <input checked="" type="checkbox"/> <input checked="" type="checkbox"/> <input type="checkbox"/>
Operating noise	<input checked="" type="checkbox"/> <input checked="" type="checkbox"/> <input checked="" type="checkbox"/> <input checked="" type="checkbox"/> <input type="checkbox"/>
Floor surface preservation	<input checked="" type="checkbox"/> <input checked="" type="checkbox"/> <input checked="" type="checkbox"/> <input checked="" type="checkbox"/> <input type="checkbox"/>