

# EA986MN- 160

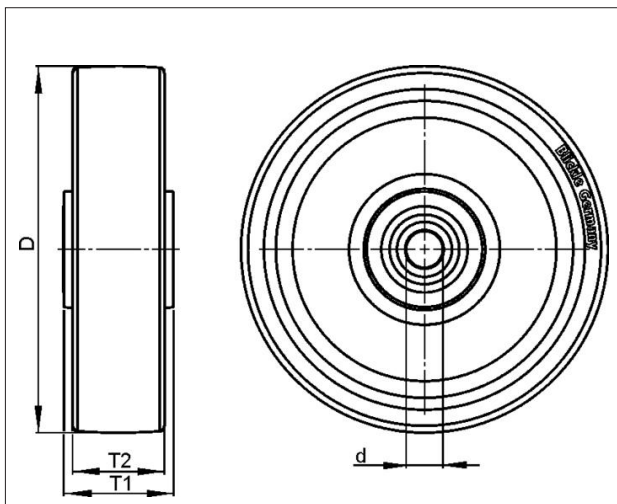


**EAN: 4047526573904**

**ID: 573907**

**Heavy duty wheel with Blickle Softhane® polyurethane tread, with aluminium wheel centre**

**Tyre & running tread:** Made of high-quality, reaction-injected polyurethane-elastomer Blickle Softhane®, very high operational comfort through the especially thick, elastic tread, low-noise operation, low rolling resistance, very good floor preservation, very high abrasion resistance, high cut and tear propagation resistance, very good chemical connection with the wheel centre. Tread colour: green  
**Rim / wheel centre:** Made of die-cast aluminium. Casted tread.



### Technical data

Wheel Ø (D)	160 mm
Wheel width (T2)	50 mm
Load capacity	550 kg
Axle bore Ø (d)	20 mm
Hub length (T1)	60 mm
Unit weight	1.122 kg
Temperature range from	-25 °C
Temperature range to	70 °C
Tread & tyre hardness	75° Shore A
Bearing type	

Rolling resistance	<input checked="" type="checkbox"/> <input checked="" type="checkbox"/> <input checked="" type="checkbox"/> <input checked="" type="checkbox"/> <input type="checkbox"/>
Operating noise	<input checked="" type="checkbox"/> <input checked="" type="checkbox"/> <input checked="" type="checkbox"/> <input checked="" type="checkbox"/> <input type="checkbox"/>
Floor surface preservation	<input checked="" type="checkbox"/> <input checked="" type="checkbox"/> <input checked="" type="checkbox"/> <input checked="" type="checkbox"/> <input type="checkbox"/>

**Blickle Räder+Rollen GmbH u. Co. KG**

Heinrich-Blickle-Straße 1 · 72348 Rosenfeld · Germany  
 Telefon: +49 7428 932-0 · Telefax: +49 7428 932-209  
 E-Mail: info@blickle.com · Internet: www.blickle.com

© Blickle Räder+Rollen GmbH u. Co. KG 2013  
 Rosenfeld · Germany