

Product Data Sheet



ALBS 200/20K

EAN 4047526694531

ID 694539

Heavy duty wheel with Blickle Besthane® Soft polyurethane tread, with aluminium wheel centre

Wheels:

Made of high-quality, reaction-injected polyurethane-elastomer Blickle Besthane® Soft, very high operational comfort through the especially thick, elastic tread, low-noise operation, very low rolling resistance, high dynamic load capacity, very good floor preservation, very high abrasion resistance, high cut and tear propagation resistance, very good chemical connection with the wheel centre.

Tread/tyre:

Made of high-quality polyurethane-elastomer Blickle Besthane® Soft, very low rolling resistance, high dynamic load capacity.

Tread colours blue

Wheel centre/rim:

Made of die-cast aluminium. Casted tread.

Wheel centre colour: silver grey



Rolling resistance

■■■■■ Excellent

Operating noise

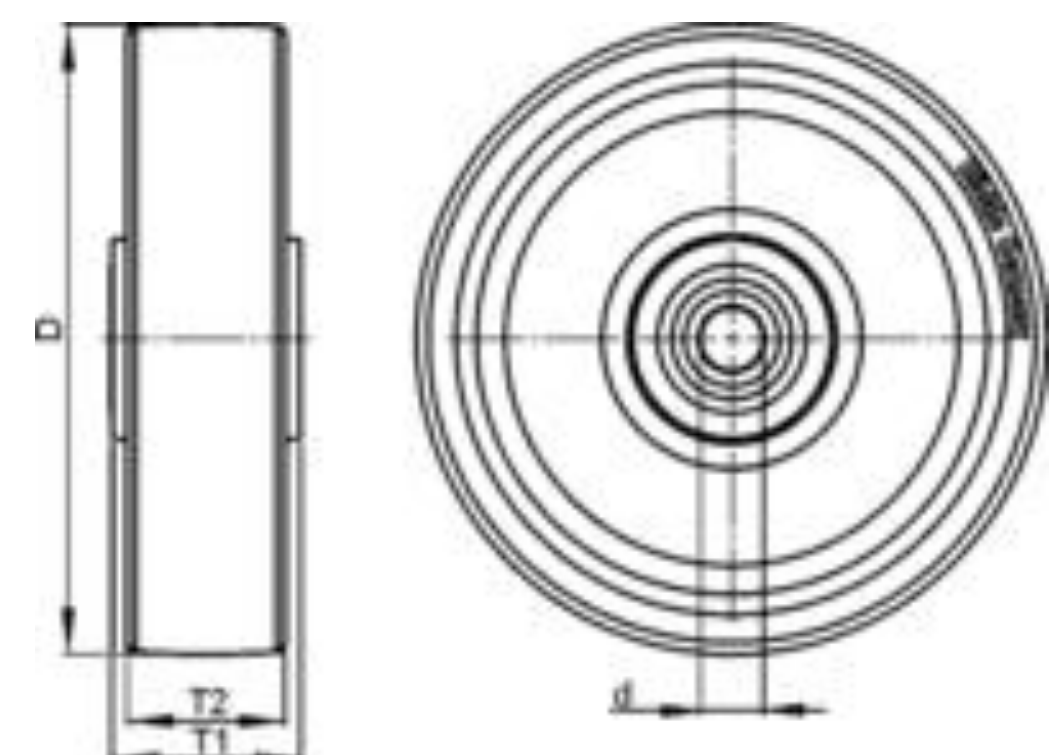
■■■■□ Very good

Floor surface preservation

■■■■□ Very good

Technical data

Wheel Ø		200 mm (D)
Wheel width		50 mm (T2)
Load capacity		700 kg
Axle bore Ø		20 mm (d)
Hub length		60 mm (T1)
unit weight		1,6 kg
Temperature resistance		-25 ° C
Temperature resistance to		70 ° C
tread and tyre hardness		75° Shore A
Bearing type:		Ball bearing



Product Data Sheet



Variants

ALBS 200/20K-CO

Heavy duty wheel with Blickle Besthane® Soft polyurethane tread, with aluminium wheel centre