

EA986MP- 200



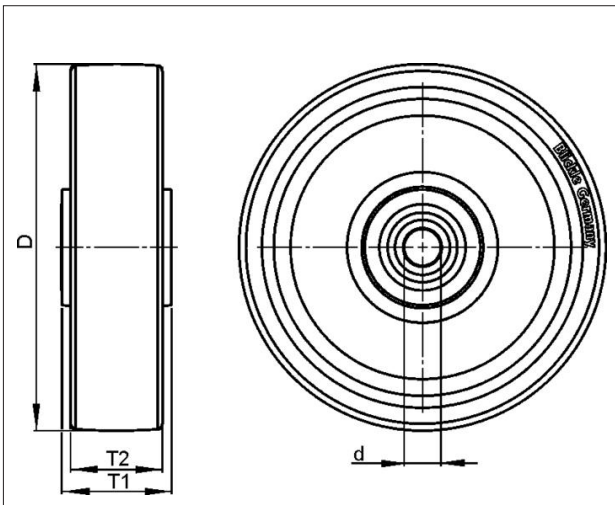
EAN: 4047526265731

ID: 265736

Heavy duty wheel with **Blickle Extrathane®** polyurethane tread, with aluminium wheel centre

Tyre & running tread: Made of high-quality, reaction-injected polyurethane-elastomer **Blickle Extrathane®**, low-noise operation, low rolling resistance, good floor preservation, very high abrasion resistance, high cut and tear propagation resistance, very good chemical connection with the wheel centre. Tread colour: light brown

Rim / wheel centre: Made of die-cast aluminium. Casted tread.



Technical data

| | |
|------------------------|-------------|
| Wheel Ø (D) | 200 mm |
| Wheel width (T2) | 50 mm |
| Load capacity | 800 kg |
| Axle bore Ø (d) | 20 mm |
| Hub length (T1) | 60 mm |
| Unit weight | 1.469 kg |
| Temperature range from | -25 °C |
| Temperature range to | 70 °C |
| Tread & tyre hardness | 92° Shore A |
| Bearing type | |

| | |
|----------------------------|--------------------------------------------------------------------------------------------------------------------------------------------------------------------------|
| Rolling resistance | <input checked="" type="checkbox"/> <input checked="" type="checkbox"/> <input checked="" type="checkbox"/> <input checked="" type="checkbox"/> <input type="checkbox"/> |
| Operating noise | <input checked="" type="checkbox"/> <input checked="" type="checkbox"/> <input checked="" type="checkbox"/> <input type="checkbox"/> <input type="checkbox"/> |
| Floor surface preservation | <input checked="" type="checkbox"/> <input checked="" type="checkbox"/> <input checked="" type="checkbox"/> <input type="checkbox"/> <input type="checkbox"/> |

Blickle Räder+Rollen GmbH u. Co. KG

Heinrich-Blickle-Straße 1 · 72348 Rosenfeld · Germany
 Telefon: +49 7428 932-0 · Telefax: +49 7428 932-209
 E-Mail: info@blickle.com · Internet: www.blickle.com

© Blickle Räder+Rollen GmbH u. Co. KG 2013
 Rosenfeld · Germany

ALTH 200/20K

Variants



Antistatic version, non-marking grey