

EA986MV-12



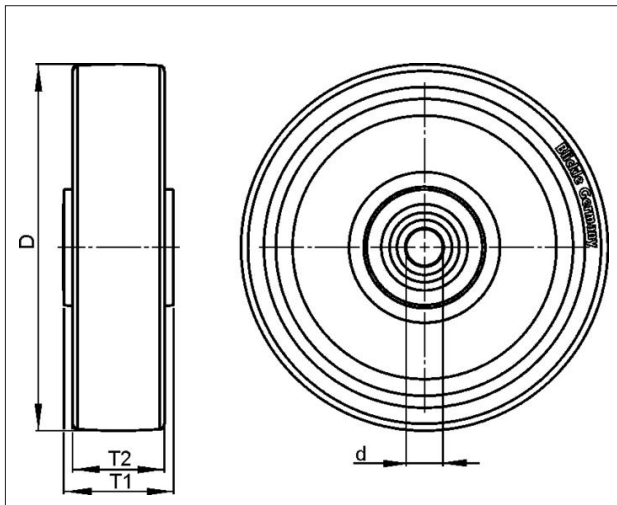
EAN: 4047526292829

ID: 292821

Wheel with pneumatic tyres, with synthetic rim

Tyre & running tread: Pneumatic tyre with tube, outstandingly high operational comfort, exceptionally high floor preservation, PAH conform acc. to EU directive 2005/69/EC. Tread colour: black

Rim / wheel centre: Made of high-quality, impact-resistant polypropylene. Tyre mounted on rim.



Technical data

| | |
|------------------------|----------------|
| Wheel Ø (D) | 300 mm |
| Wheel width (T2) | 100 mm |
| Tyre dimension | 4.00-4 |
| Ply-Rating | 2 |
| Profile | B02 |
| Load capacity | 180 kg |
| Tyre pressure | 2,0/30 bar/psi |
| Axle bore Ø (d) | 25 mm |
| Hub length (T1) | 75 mm |
| Unit weight | 1.59 kg |
| Temperature range from | -20 °C |
| Temperature range to | 40 °C |
| Tread & tyre hardness | 65° Shore A |
| Bearing type | |

Rolling resistance



Operating noise



Floor surface preservation



PK 302/25-75R

Variants



Red centre