

EA986MV-200



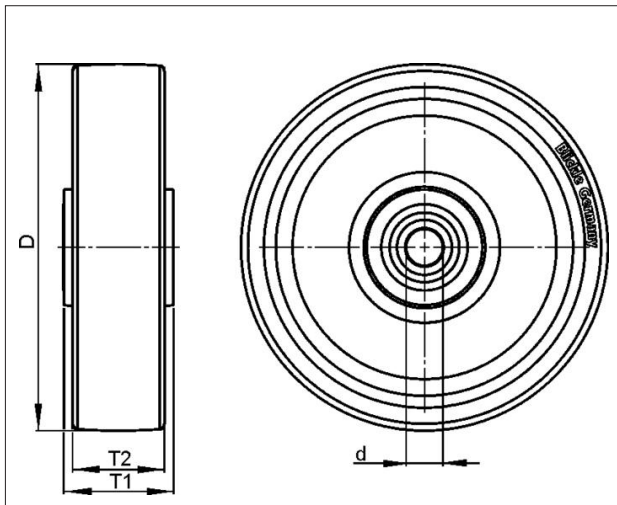
EAN: 4047526040642

ID: 40642

Wheel with pneumatic tyres, with synthetic rim

Tyre & running tread: Pneumatic tyre with tube, outstandingly high operational comfort, exceptionally high floor preservation, PAH conform acc. to EU directive 2005/69/EC. Tread colour: black

Rim / wheel centre: Made of high-quality, impact-resistant polypropylene. Tyre mounted on rim.



Technical data

Wheel Ø (D)	200 mm
Wheel width (T2)	50 mm
Tyre dimension	200x50
Ply-Rating	2
Profile	R01
Load capacity	75 kg
Tyre pressure	2,5/36 bar/psi
Axle bore Ø (d)	20 mm
Hub length (T1)	60 mm
Unit weight	0.486 kg
Temperature range from	-20 °C
Temperature range to	40 °C
Tread & tyre hardness	65° Shore A
Bearing type	

Rolling resistance



Operating noise



Floor surface preservation



PK 200/20-60G

Variants



With non-marking grey
tyre