

EA986MV-260



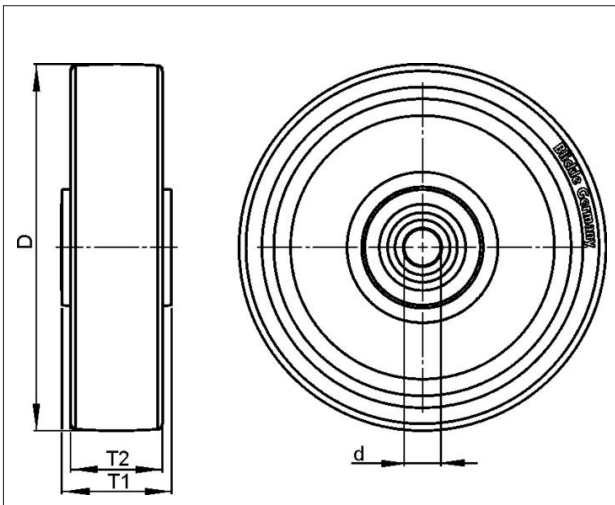
EAN: 4047526040666

ID: 40667

Wheel with pneumatic tyres, with synthetic rim

Tyre & running tread: Pneumatic tyre with tube, outstandingly high operational comfort, exceptionally high floor preservation, PAH conform acc. to EU directive 2005/69/EC. Tread colour: black

Rim / wheel centre: Made of high-quality, impact-resistant polypropylene. Tyre mounted on rim.



Technical data

Wheel Ø (D)	260 mm
Wheel width (T2)	85 mm
Tyre dimension	3.00-4
Ply-Rating	2
Profile	R01
Load capacity	150 kg
Tyre pressure	2,0/30 bar/psi
Axle bore Ø (d)	20 mm
Hub length (T1)	75 mm
Unit weight	0.972 kg
Temperature range from	-20 °C
Temperature range to	40 °C
Tread & tyre hardness	65° Shore A
Bearing type	

Rolling resistance



Operating noise



Floor surface preservation



PK 260/20-75G

Variants	
	Red centre
	With non-marking grey tyre