

EA986MW- 300



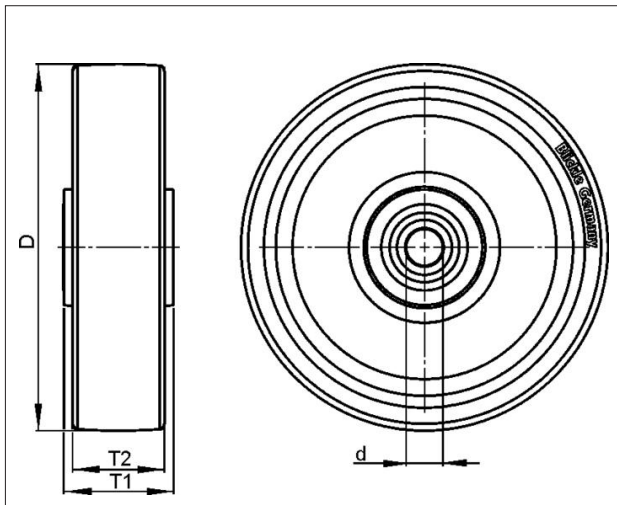
EAN: 4047526255206

ID: 255208

Wheel with pneumatic tyres, with pressed steel rim

Tyre & running tread: Pneumatic tyre with tube, outstandingly high operational comfort, exceptionally high floor preservation, PAH conform acc. to EU directive 2005/69/EC. Tread colour: black

Rim / wheel centre: Made of pressed steel, with tubular steel hub, zinc-plated, blue-passivated, Cr6-free. Tyre mounted on rim.



Technical data

Wheel Ø (D)	300 mm
Wheel width (T2)	100 mm
Tyre dimension	4.00-4
Ply-Rating	2
Profile	B02
Load cap. with 4 km/h	180 kg
Load cap. with 16 km/h	0 kg
Tyre pressure	2,0/30 bar/psi
Axle bore Ø (d)	20 mm
Hub length (T1)	75 mm
Unit weight	2.241 kg
Temperature range from	-25 °C
Temperature range to	50 °C
Tread & tyre hardness	65° Shore A
Bearing type	

Rolling resistance



Operating noise



Floor surface preservation

