

# EA986MW-8



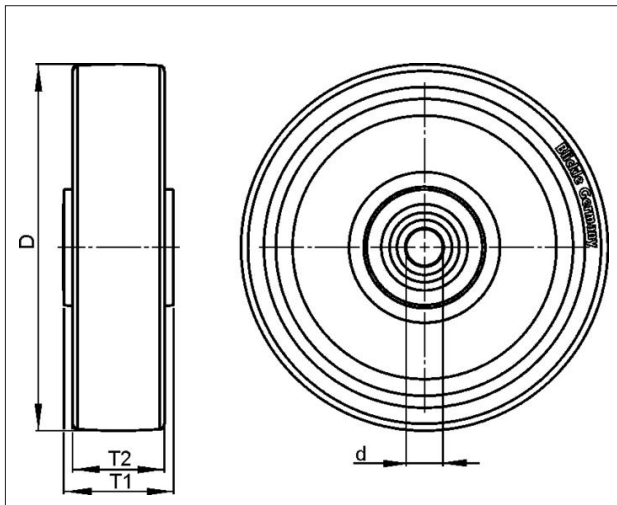
**EAN: 4047526036003**

**ID: 36004**

**Wheel with pneumatic tyres, with pressed steel rim**

**Tyre & running tread:** Pneumatic tyre with tube, outstandingly high operational comfort, exceptionally high floor preservation, PAH conform acc. to EU directive 2005/69/EC. Tread colour: black

**Rim / wheel centre:** Made of pressed steel, with tubular steel hub, zinc-plated, blue-passivated, Cr6-free. Tyre mounted on rim.



## Technical data

Wheel Ø (D)	200 mm
Wheel width (T2)	50 mm
Tyre dimension	200x50
Ply-Rating	2
Profile	R01
Load cap. with 4 km/h	75 kg
Load cap. with 16 km/h	0 kg
Tyre pressure	2,5/36 bar/psi
Axle bore Ø (d)	20 mm
Hub length (T1)	48 mm
Unit weight	0.892 kg
Temperature range from	-25 °C
Temperature range to	50 °C
Tread & tyre hardness	65° Shore A
Bearing type	

Rolling resistance



Operating noise



Floor surface preservation



**P 200/20-48R**

Variants



With non-marking grey  
tyre