

EA986N-200



EAN: 4047526007775

ID: 7773

**Pressed steel fixed castor, medium duty brackets, with top plate fitting, Cast iron wheel**

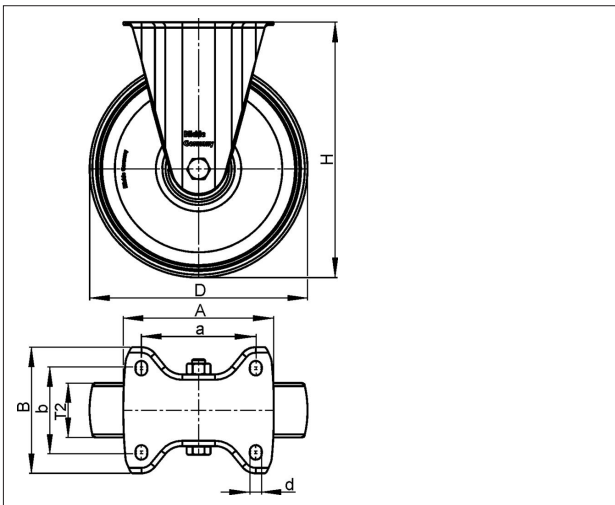
**Bracket:**

Made of pressed steel. Bolted wheel axle. Zinc-plated, blue-passivated, Cr6-free.

**Wheels:**

**Tyre & running tread:** Made of rugged grey cast iron, machined tread and tread edges, with grease nipple, exceptionally low rolling and swivel resistance, outstanding wear resistance, lacquered. Tread colour: silver grey

**Rim / wheel centre:** -



Technical data

Wheel Ø (D)	200 mm
Wheel width (T2)	50 mm
Load capacity	350 kg
Total height (H)	235 mm
Unit weight	5.32 kg
Temperature range from	-25 °C
Temperature range to	120 °C
Tread & tyre hardness	180 - 220 HB
Bearing type	
Plate size (A,B)	140 x 110 mm
Bolt hole Ø (d)	11 mm
Bolt hole spacing (a,b)	105 x 75-80 mm

Rolling resistance



Operating noise



Floor surface preservation

