

EA986N-80



EAN: 4047526007720

ID: 7724

Pressed steel fixed castor, medium duty brackets, with top plate fitting, Cast iron wheel

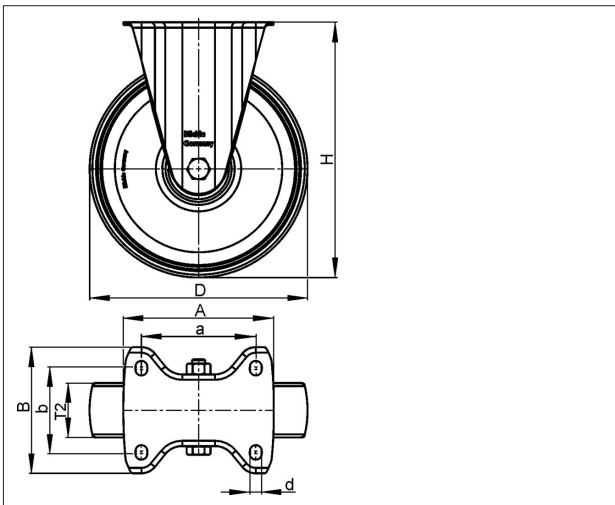
Bracket:

Made of pressed steel. Bolted wheel axle. Zinc-plated, blue-passivated, Cr6-free.

Wheels:


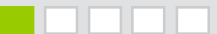
Tyre & running tread: Made of rugged grey cast iron, machined tread and tread edges, with grease nipple, exceptionally low rolling and swivel resistance, outstanding wear resistance, lacquered. Tread colour: silver grey

Rim / wheel centre: -



Technical data

Wheel Ø (D)	80 mm
Wheel width (T2)	25 mm
Load capacity	150 kg
Total height (H)	102 mm
Unit weight	0.817 kg
Temperature range from	-25 °C
Temperature range to	120 °C
Tread & tyre hardness	180 - 220 HB
Bearing type	
Plate size (A,B)	100 x 85 mm
Bolt hole Ø (d)	9 mm
Bolt hole spacing (a,b)	80 x 60 mm

Rolling resistance	
Operating noise	
Floor surface preservation	