

EA986NA-1



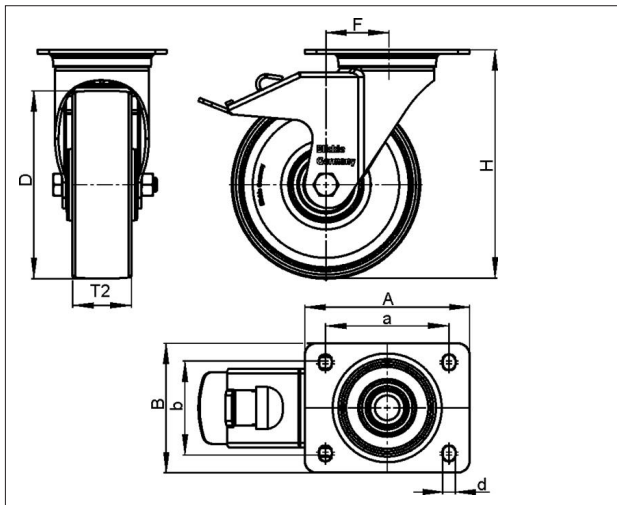
EAN: 4047526313081

ID: 313080

Cast iron wheel




**Tyre & running tread:** Made of rugged grey cast iron, machined tread and tread edges, with grease nipple, exceptionally low rolling and swivel resistance, outstanding wear resistance, lacquered. Tread colour: silver grey

**Rim / wheel centre:** -  
**Variants:**  
 mit Feststeller "stop-fix"



Technical data

Wheel Ø (D)	80 mm
Wheel width (T2)	25 mm
Load capacity	200 kg
Total height (H)	102 mm
Offset swvl castor (F)	38 mm
Unit weight	1.14 kg
Temperature range from	-25 °C
Temperature range to	120 °C
Tread & tyre hardness	180 - 220 HB
Bearing type	
Plate size (A,B)	100 x 85 mm
Bolt hole Ø (d)	9 mm
Bolt hole spacing (a,b)	80 x 60 mm

Rolling resistance	
Operating noise	
Floor surface preservation	

Blickle Räder+Rollen GmbH u. Co. KG

Heinrich-Blickle-Straße 1 · 72348 Rosenfeld · Germany  
 Telefon: +49 7428 932-0 · Telefax: +49 7428 932-209  
 E-Mail: info@blickle.com · Internet: www.blickle.com

© Blickle Räder+Rollen GmbH u. Co. KG 2013  
 Rosenfeld · Germany