

EA986NA-13



EAN: 4047526011949

ID: 11940

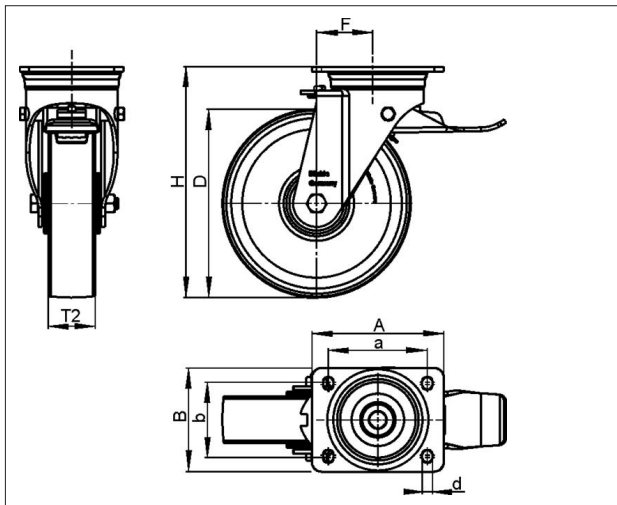
Cast iron wheel

**Tyre & running tread:** Made of rugged grey cast iron, machined tread and tread edges, with grease nipple, exceptionally low rolling and swivel resistance, outstanding wear resistance, lacquered. Tread colour: silver grey

**Rim / wheel centre:** -

**Variants:**

mit Feststeller "stop-top"



Technical data

Wheel Ø (D)	125 mm
Wheel width (T2)	35 mm
Load capacity	200 kg
Total height (H)	150 mm
Offset swvl castor (F)	40 mm
Unit weight	2.28 kg
Temperature range from	-25 °C
Temperature range to	120 °C
Tread & tyre hardness	180 - 220 HB
Bearing type	
Plate size (A,B)	100 x 85 mm
Bolt hole Ø (d)	9 mm
Bolt hole spacing (a,b)	80 x 60 mm

Rolling resistance	■ ■ ■ ■ ■
Operating noise	■ □ □ □ □
Floor surface preservation	■ □ □ □ □

**Blickle Räder+Rollen GmbH u. Co. KG**

Heinrich-Blickle-Straße 1 · 72348 Rosenfeld · Germany  
 Telefon: +49 7428 932-0 · Telefax: +49 7428 932-209  
 E-Mail: info@blickle.com · Internet: www.blickle.com

© Blickle Räder+Rollen GmbH u. Co. KG 2013  
 Rosenfeld · Germany

**L-G 125G-ST**

Variants



With 'stop-top' brake