

# EA986NA-2



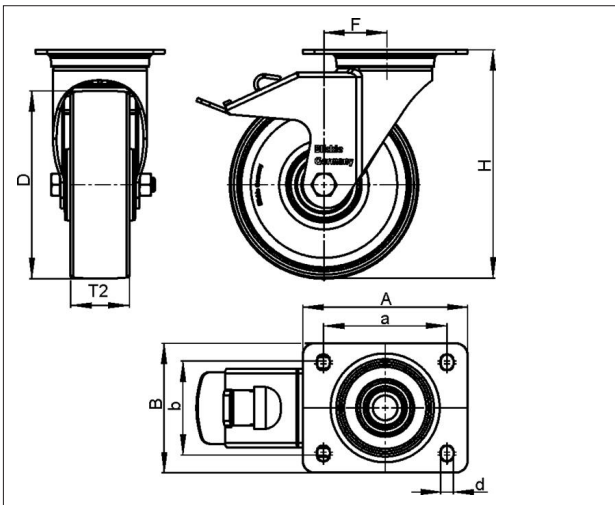
**EAN: 4047526263140**

**ID: 263145**

**Cast iron wheel**



**Tyre & running tread:** Made of rugged grey cast iron, machined tread and tread edges, with grease nipple, exceptionally low rolling and swivel resistance, outstanding wear resistance, lacquered. Tread colour: silver grey

**Rim / wheel centre:** -  
**Variants:**  
 mit Feststeller "stop-fix"



### Technical data

Wheel Ø (D)	100 mm
Wheel width (T2)	35 mm
Load capacity	200 kg
Total height (H)	125 mm
Offset swvl castor (F)	36 mm
Unit weight	1.615 kg
Temperature range from	-25 °C
Temperature range to	120 °C
Tread & tyre hardness	180 - 220 HB
Bearing type	
Plate size (A,B)	100 x 85 mm
Bolt hole Ø (d)	9 mm
Bolt hole spacing (a,b)	80 x 60 mm

Rolling resistance	
Operating noise	
Floor surface preservation	