

EA986NA-3



EAN: 4047526233426

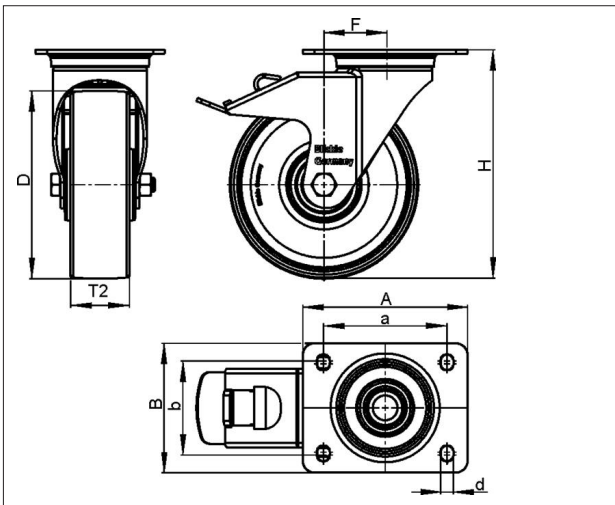
ID: 233429

Cast iron wheel

Tyre & running tread: Made of rugged grey cast iron, machined tread and tread edges, with grease nipple, exceptionally low rolling and swivel resistance, outstanding wear resistance, lacquered. Tread colour: silver grey

Rim / wheel centre: -

Variants:
mit Feststeller "stop-fix"



Technical data

Wheel Ø (D)	125 mm
Wheel width (T2)	35 mm
Load capacity	200 kg
Total height (H)	150 mm
Offset swvl castor (F)	40 mm
Unit weight	2.248 kg
Temperature range from	-25 °C
Temperature range to	120 °C
Tread & tyre hardness	180 - 220 HB
Bearing type	
Plate size (A,B)	100 x 85 mm
Bolt hole Ø (d)	9 mm
Bolt hole spacing (a,b)	80 x 60 mm

Rolling resistance



Operating noise



Floor surface preservation

