

EA986NM-125



EAN: 4047526584948

ID: 584946

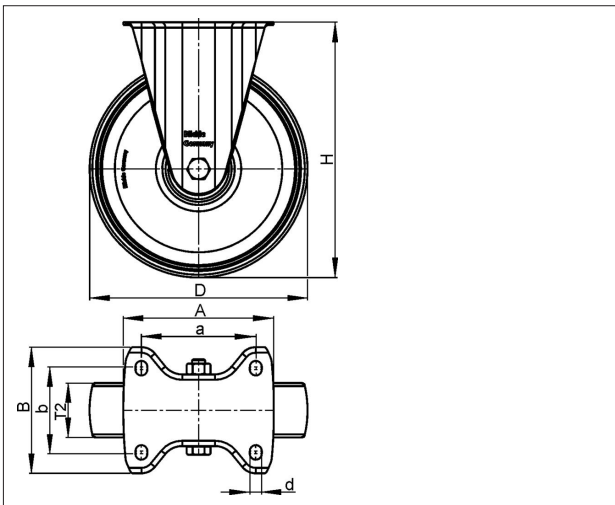
Bracket:

Made of pressed steel. Bolted wheel axle. Zinc-plated, blue-passivated, Cr6-free.

Wheels:



Tyre & running tread: Made of mild steel, with slightly crowned tread and lightly oiled surface, very low rolling and swivelling resistance, smooth running performance on even floors, extremely wear-resistant, particularly high static and dynamic load capacity.

Rim / wheel centre: -



Technical data

Wheel Ø (D)	125 mm
Tread width (T2)	55 mm
Load capacity	900 kg
Overall height (H)	170 mm
Unit weight	5.73 kg
Temperature range from	-25 °C
Temperature range to	120 °C
Tread & tire hardness	190 - 230 HB
Bearing type	Ball bearing
Plate size (A,B)	140 x 110 mm
Bolt hole Ø (d)	11 mm
Bolt hole spacing (a,b)	105 x 75-80 mm

Rolling resistance	
Operating noise	
Floor surface preservation	