

EA986RK-3



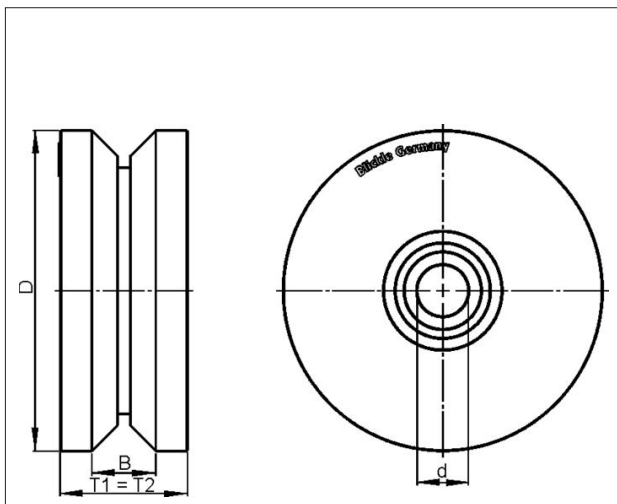
EAN: 4047526268381

ID: 268383

Solid steel double flanged wheel

Tyre & running tread: Made of mild steel, with lightly oiled surface, V-shaped tread (for angular steel), extremely low rolling resistance, extremely wear-resistant, particularly high static and dynamic load capacity. Tread colour: silver

Rim / wheel centre: Made of mild steel, with lightly oiled surface.



Technical data

Wheel Ø (D)	150 mm
Wheel width (T2)	33 mm
Recess width (B)	25 mm
Load capacity	800 kg
Axle bore Ø (d)	20 mm
Hub length (T1)	33 mm
Unit weight	3.74 kg
Temperature range from	-25 °C
Temperature range to	120 °C
Tread & tyre hardness	190 - 230 HB
Bearing type	

Rolling resistance



Operating noise



Floor surface preservation



Blickle Räder+Rollen GmbH u. Co. KG

Heinrich-Blickle-Straße 1 · 72348 Rosenfeld · Germany
 Telefon: +49 7428 932-0 · Telefax: +49 7428 932-209
 E-Mail: info@blickle.com · Internet: www.blickle.com

© Blickle Räder+Rollen GmbH u. Co. KG 2013
 Rosenfeld · Germany