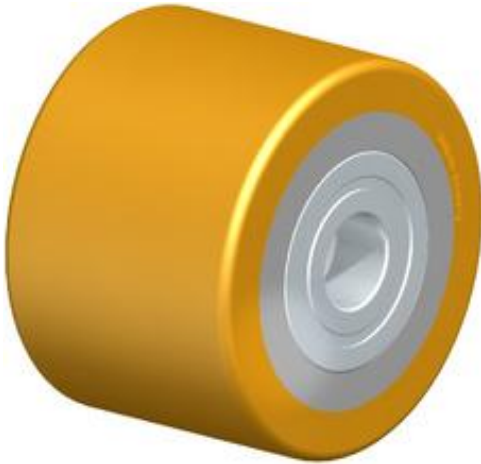


EA986RM-85

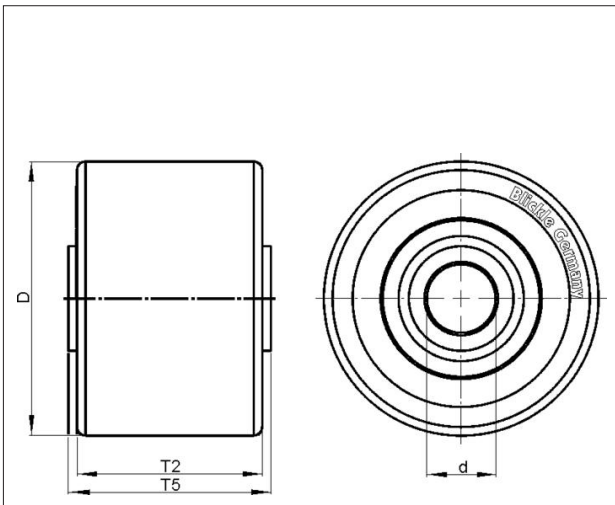


EAN: 4047526269753

ID: 269753

Rollers for pallet trucks with Blicke Extrathane® polyurethane tread, with steel wheel centre

Tyre & running tread: Made of high-quality, reaction-injected polyurethane-elastomer Blicke Extrathane®, low-noise operation, low rolling resistance, good floor preservation, very high abrasion resistance, high cut and tear propagation resistance, very good chemical connection with the wheel centre. Tread colour: light brown
Rim / wheel centre: Made of steel or grey cast iron.



Technical data

| | |
|------------------------|-------------|
| Wheel Ø (D) | 85 mm |
| Wheel width (T2) | 60 mm |
| Load capacity | 450 kg |
| Ball bearing | 6204 ZZ |
| Bearing seat Ø (S) | 0 mm |
| Bearing seat depth (t) | 0 mm |
| Axle bore Ø (d) | 20 mm |
| Clamping length (T5) | 60 mm |
| Unit weight | 0.967 kg |
| Temperature range from | -25 °C |
| Temperature range to | 70 °C |
| Tread & tyre hardness | 92° Shore A |
| Bearing type | |

| | |
|----------------------------|--------------------------------------------------------------------------------------------------------------------------------------------------------------------------|
| Rolling resistance | <input checked="" type="checkbox"/> <input checked="" type="checkbox"/> <input checked="" type="checkbox"/> <input checked="" type="checkbox"/> <input type="checkbox"/> |
| Operating noise | <input checked="" type="checkbox"/> <input checked="" type="checkbox"/> <input checked="" type="checkbox"/> <input type="checkbox"/> <input type="checkbox"/> |
| Floor surface preservation | <input checked="" type="checkbox"/> <input checked="" type="checkbox"/> <input checked="" type="checkbox"/> <input type="checkbox"/> <input type="checkbox"/> |