

EA986RP-75

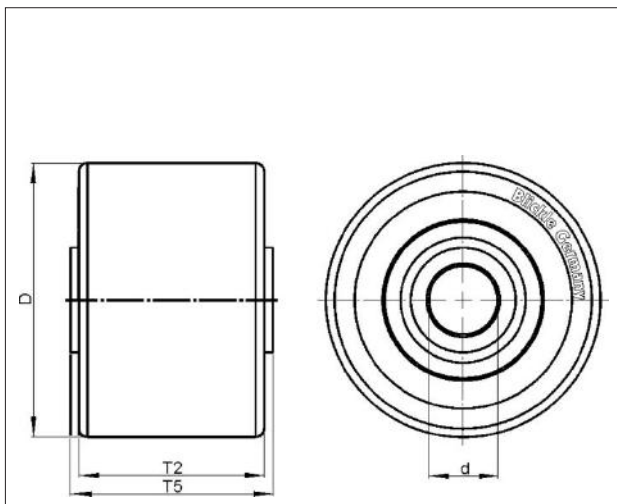


EAN: 4047526269647

ID: 269647

Rollers for pallet trucks with Blicke Extrathane® polyurethane tread, with steel wheel centre

Tyre & running tread: Made of high-quality, reaction-injected polyurethane-elastomer Blicke Extrathane®, low-noise operation, low rolling resistance, good floor preservation, very high abrasion resistance, high cut and tear propagation resistance, very good chemical connection with the wheel centre. Tread colour: light brown
Rim / wheel centre: Made of steel or grey cast iron.



Technical data

Wheel Ø (D)	75 mm
Wheel width (T2)	95 mm
Load capacity	640 kg
Ball bearing	6204 ZZ
Bearing seat Ø (S)	0 mm
Bearing seat depth (t)	0 mm
Axle bore Ø (d)	20 mm
Clamping length (T5)	95 mm
Unit weight	1.293 kg
Temperature range from	-25 °C
Temperature range to	70 °C
Tread & tyre hardness	92° Shore A
Bearing type	

Rolling resistance	<input checked="" type="checkbox"/> <input checked="" type="checkbox"/> <input checked="" type="checkbox"/> <input checked="" type="checkbox"/> <input type="checkbox"/>
Operating noise	<input checked="" type="checkbox"/> <input checked="" type="checkbox"/> <input checked="" type="checkbox"/> <input type="checkbox"/> <input type="checkbox"/>
Floor surface preservation	<input checked="" type="checkbox"/> <input checked="" type="checkbox"/> <input checked="" type="checkbox"/> <input type="checkbox"/> <input type="checkbox"/>

Blickle Räder+Rollen GmbH u. Co. KG

Heinrich-Blickle-Straße 1 · 72348 Rosenfeld · Germany
 Telefon: +49 7428 932-0 · Telefax: +49 7428 932-209
 E-Mail: info@blickle.com · Internet: www.blickle.com

© Blicke Räder+Rollen GmbH u. Co. KG 2013
 Rosenfeld · Germany