

EA986RP-82

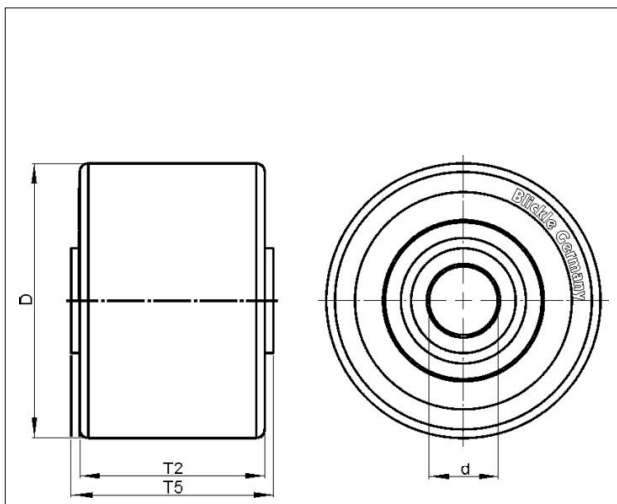
EAN: 4047526269739

ID: 269738





Tyre & running tread: Made of high-quality, reaction-injected polyurethane-elastomer Blickle Extrathane®, low-noise operation, low rolling resistance, good floor preservation, very high abrasion resistance, high cut and tear propagation resistance, very good chemical connection with the wheel centre.

Rim / wheel centre: Made of steel or grey cast iron.



Technical data

Wheel Ø (D)	82 mm
Tread width (T2)	100 mm
Load capacity	730 kg
Ball bearing	6204 ZZ
Bearing seat Ø (S)	0 mm
Bearing seat depth (t)	0 mm
Axle bore Ø (d)	20 mm
Clamping length (T5)	100 mm
Unit weight	1.49 kg
Temperature range from	-25 °C
Temperature range to	70 °C
Tread & tire hardness	92° Shore A
Bearing type	Ball bearing

Rolling resistance	
Operating noise	
Floor surface preservation	

Blickle Räder+Rollen GmbH u. Co. KG

Heinrich-Blickle-Straße 1 · 72348 Rosenfeld · Germany
 Telefon: +49 7428 932-0 · Telefax: +49 7428 932-209
 E-Mail: info@blickle.com · Internet: www.blickle.com

© Blickle Räder+Rollen GmbH u. Co. KG 2014
 Rosenfeld · Germany