

EA986RP-85

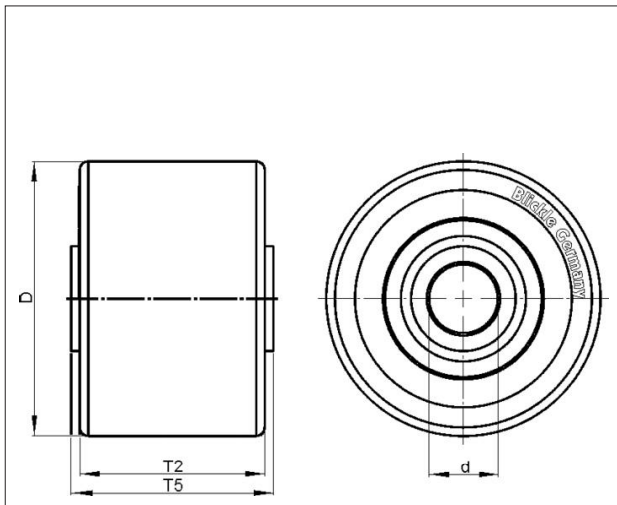
EAN: 4047526269890

ID: 269894





Tyre & running tread: Made of high-quality, reaction-injected polyurethane-elastomer Blickle Extrathane®, low-noise operation, low rolling resistance, good floor preservation, very high abrasion resistance, high cut and tear propagation resistance, very good chemical connection with the wheel centre.

Rim / wheel centre: Made of steel or grey cast iron.



Technical data

Wheel Ø (D)	85 mm
Tread width (T2)	100 mm
Load capacity	760 kg
Ball bearing	6204 ZZ
Bearing seat Ø (S)	0 mm
Bearing seat depth (t)	0 mm
Axle bore Ø (d)	20 mm
Clamping length (T5)	100 mm
Unit weight	1.49 kg
Temperature range from	-25 °C
Temperature range to	70 °C
Tread & tire hardness	92° Shore A
Bearing type	Ball bearing

Rolling resistance	
Operating noise	
Floor surface preservation	