

EA986RP-85B

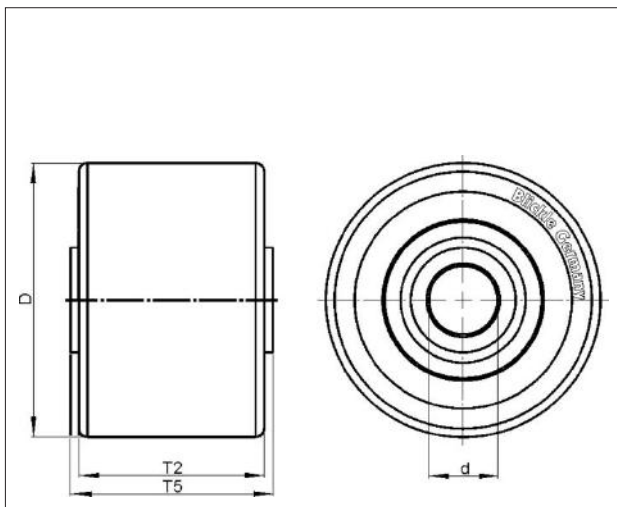


EAN: 4047526269876

ID: 269878




Rollers for pallet trucks with **Blickle Extrathane®** polyurethane tread, with steel wheel centre

Tyre & running tread: Made of high-quality, reaction-injected polyurethane-elastomer **Blickle Extrathane®**, low-noise operation, low rolling resistance, good floor preservation, very high abrasion resistance, high cut and tear propagation resistance, very good chemical connection with the wheel centre. Tread colour: light brown
Rim / wheel centre: Made of steel or grey cast iron.



Technical data

Wheel Ø (D)	85 mm
Wheel width (T2)	90 mm
Load capacity	680 kg
Ball bearing	6204 ZZ
Bearing seat Ø (S)	0 mm
Bearing seat depth (t)	0 mm
Axle bore Ø (d)	20 mm
Clamping length (T5)	90 mm
Unit weight	1.38 kg
Temperature range from	-25 °C
Temperature range to	70 °C
Tread & tyre hardness	92° Shore A
Bearing type	

Rolling resistance	
Operating noise	
Floor surface preservation	

Blickle Räder+Rollen GmbH u. Co. KG

Heinrich-Blickle-Straße 1 · 72348 Rosenfeld · Germany
 Telefon: +49 7428 932-0 · Telefax: +49 7428 932-209
 E-Mail: info@blickle.com · Internet: www.blickle.com

© Blickle Räder+Rollen GmbH u. Co. KG 2013
 Rosenfeld · Germany