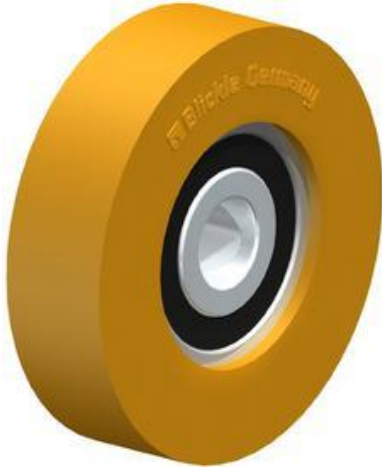


EA986RW-1

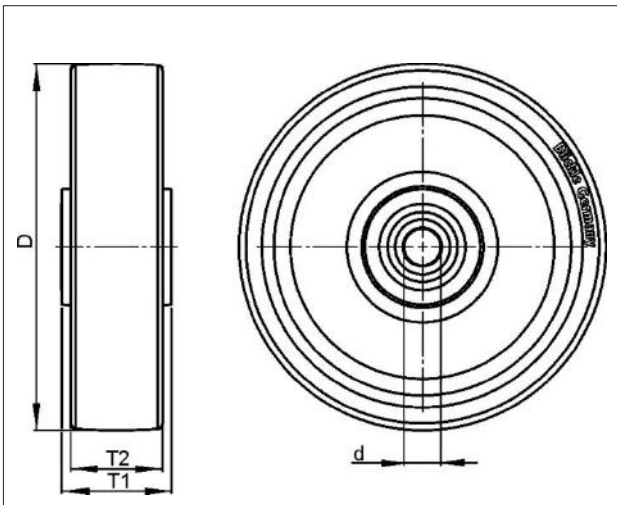


EAN: 4047526463717

ID: 463711

Guide roller with **Blickle Extrathane®** polyurethane tread

**Tyre & running tread:** Made of high-quality, reaction-injected polyurethane-elastomer **Blickle Extrathane®**, low-noise operation, low rolling resistance, good floor preservation, very high abrasion resistance, high cut and tear propagation resistance, tread directly injected onto the ball bearing, very good chemical connection. Tread colour: light brown  
**Rim / wheel centre:** -



Technical data

Wheel Ø (D)	30 mm
Wheel width (T2)	8 mm
Load capacity	20 kg
Ball bearing	626 2RS
Axle bore Ø (d)	6 mm
Clamping length (T5)	6 mm
Unit weight	0.012 kg
Temperature range from	-25 °C
Temperature range to	70 °C
Tread & tyre hardness	92° Shore A
Bearing type	

Rolling resistance	<input checked="" type="checkbox"/> <input checked="" type="checkbox"/> <input checked="" type="checkbox"/> <input checked="" type="checkbox"/> <input type="checkbox"/>
Operating noise	<input checked="" type="checkbox"/> <input checked="" type="checkbox"/> <input checked="" type="checkbox"/> <input type="checkbox"/> <input type="checkbox"/>
Floor surface preservation	<input checked="" type="checkbox"/> <input checked="" type="checkbox"/> <input checked="" type="checkbox"/> <input type="checkbox"/> <input type="checkbox"/>