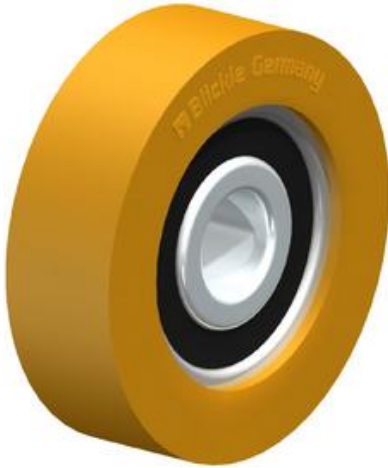


EA986RW-10



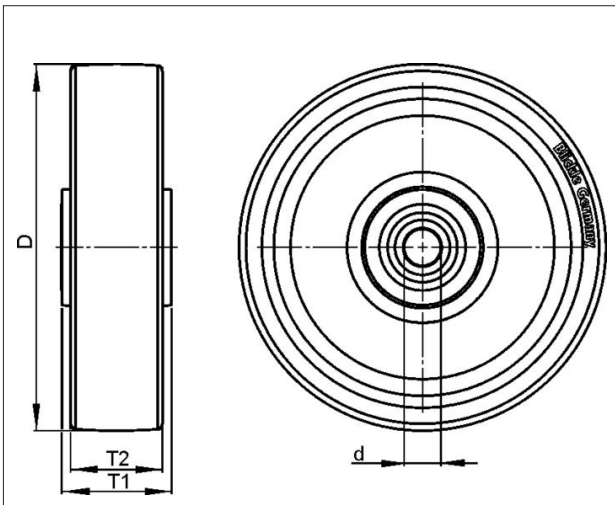
EAN: 4047526463809

ID: 463802

Guide roller with **Blickle Extrathane®** polyurethane tread

Tyre & running tread: Made of high-quality, reaction-injected polyurethane-elastomer **Blickle Extrathane®**, low-noise operation, low rolling resistance, good floor preservation, very high abrasion resistance, high cut and tear propagation resistance, tread directly injected onto the ball bearing, very good chemical connection. Tread colour: light brown

Rim / wheel centre: -



Technical data

| | |
|------------------------|-------------|
| Wheel Ø (D) | 50 mm |
| Wheel width (T2) | 15 mm |
| Load capacity | 70 kg |
| Ball bearing | 6301 2RS |
| Axle bore Ø (d) | 12 mm |
| Clamping length (T5) | 12 mm |
| Unit weight | 0.076 kg |
| Temperature range from | -25 °C |
| Temperature range to | 70 °C |
| Tread & tyre hardness | 92° Shore A |
| Bearing type | |

| | |
|----------------------------|--|
| Rolling resistance | <input checked="" type="checkbox"/> <input checked="" type="checkbox"/> <input checked="" type="checkbox"/> <input checked="" type="checkbox"/> <input type="checkbox"/> |
| Operating noise | <input checked="" type="checkbox"/> <input checked="" type="checkbox"/> <input checked="" type="checkbox"/> <input type="checkbox"/> <input type="checkbox"/> |
| Floor surface preservation | <input checked="" type="checkbox"/> <input checked="" type="checkbox"/> <input checked="" type="checkbox"/> <input type="checkbox"/> <input type="checkbox"/> |

Blickle Räder+Rollen GmbH u. Co. KG

Heinrich-Blickle-Straße 1 · 72348 Rosenfeld · Germany
 Telefon: +49 7428 932-0 · Telefax: +49 7428 932-209
 E-Mail: info@blickle.com · Internet: www.blickle.com

© Blickle Räder+Rollen GmbH u. Co. KG 2013
 Rosenfeld · Germany