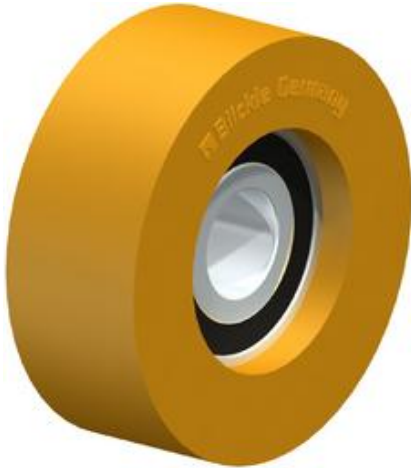


EA986RW-6



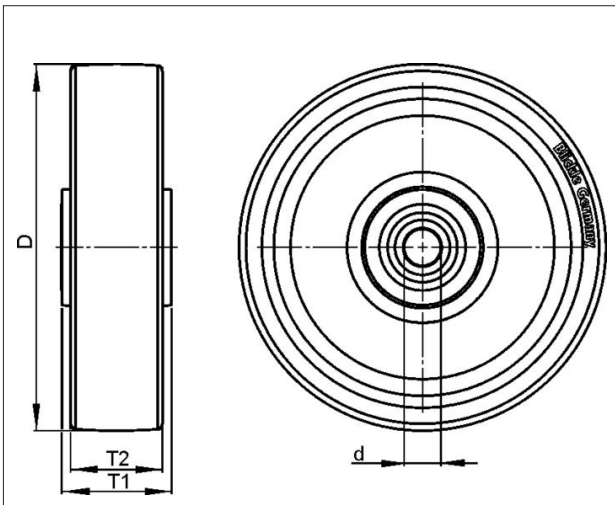
EAN: 4047526463762

ID: 463760

Guide roller with **Blickle Extrathane®** polyurethane tread

**Tyre & running tread:** Made of high-quality, reaction-injected polyurethane-elastomer **Blickle Extrathane®**, low-noise operation, low rolling resistance, good floor preservation, very high abrasion resistance, high cut and tear propagation resistance, tread directly injected onto the ball bearing, very good chemical connection. Tread colour: light brown

**Rim / wheel centre:** -



Technical data

Wheel Ø (D)	40 mm
Wheel width (T2)	15 mm
Load capacity	40 kg
Ball bearing	6000 2RS
Axle bore Ø (d)	10 mm
Clamping length (T5)	8 mm
Unit weight	0.033 kg
Temperature range from	-25 °C
Temperature range to	70 °C
Tread & tyre hardness	92° Shore A
Bearing type	

Rolling resistance	<input checked="" type="checkbox"/> <input checked="" type="checkbox"/> <input checked="" type="checkbox"/> <input checked="" type="checkbox"/> <input type="checkbox"/>
Operating noise	<input checked="" type="checkbox"/> <input checked="" type="checkbox"/> <input checked="" type="checkbox"/> <input type="checkbox"/> <input type="checkbox"/>
Floor surface preservation	<input checked="" type="checkbox"/> <input checked="" type="checkbox"/> <input checked="" type="checkbox"/> <input type="checkbox"/> <input type="checkbox"/>

**Blickle Räder+Rollen GmbH u. Co. KG**

Heinrich-Blickle-Straße 1 · 72348 Rosenfeld · Germany  
 Telefon: +49 7428 932-0 · Telefax: +49 7428 932-209  
 E-Mail: info@blickle.com · Internet: www.blickle.com

© Blickle Räder+Rollen GmbH u. Co. KG 2013  
 Rosenfeld · Germany