

EA986RX-1

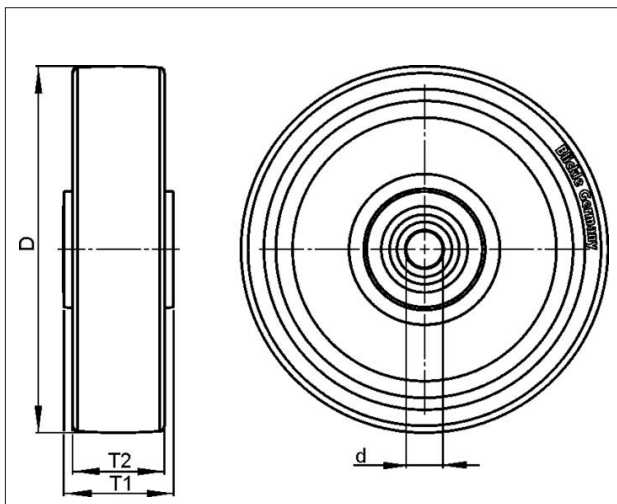


EAN: 4047526463915

ID: 463919

Guide roller with **Blickle Extrathane®** polyurethane tread, with steel wheel centre

Tyre & running tread: Made of high-quality, reaction-injected polyurethane-elastomer **Blickle Extrathane®**, low-noise operation, low rolling resistance, good floor preservation, very high abrasion resistance, high cut and tear propagation resistance, very good chemical connection with the wheel centre. Tread colour: light brown
Rim / wheel centre: Made of steel. Casted tread.



Technical data

Wheel Ø (D)	40 mm
Wheel width (T2)	13 mm
Load capacity	45 kg
Ball bearing	6000 2RS
Axle bore Ø (d)	10 mm
Clamping length (T5)	8 mm
Unit weight	0.054 kg
Temperature range from	-25 °C
Temperature range to	70 °C
Tread & tyre hardness	92° Shore A
Bearing type	

Rolling resistance	<input checked="" type="checkbox"/> <input checked="" type="checkbox"/> <input checked="" type="checkbox"/> <input checked="" type="checkbox"/> <input type="checkbox"/>
Operating noise	<input checked="" type="checkbox"/> <input checked="" type="checkbox"/> <input checked="" type="checkbox"/> <input type="checkbox"/> <input type="checkbox"/>
Floor surface preservation	<input checked="" type="checkbox"/> <input checked="" type="checkbox"/> <input checked="" type="checkbox"/> <input type="checkbox"/> <input type="checkbox"/>