

EA986RX-13

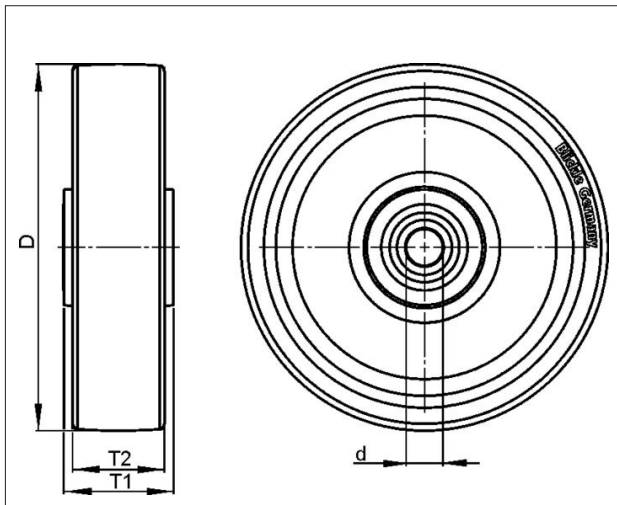


EAN: 4047526464028

ID: 464024

Guide roller with **Blickle Extrathane®** polyurethane tread, with steel wheel centre

**Tyre & running tread:** Made of high-quality, reaction-injected polyurethane-elastomer **Blickle Extrathane®**, low-noise operation, low rolling resistance, good floor preservation, very high abrasion resistance, high cut and tear propagation resistance, very good chemical connection with the wheel centre. Tread colour: light brown  
**Rim / wheel centre:** Made of steel. Casted tread.



Technical data

Wheel Ø (D)	110 mm
Wheel width (T2)	25 mm
Load capacity	240 kg
Ball bearing	6205 2RS
Axle bore Ø (d)	25 mm
Clamping length (T5)	15 mm
Unit weight	0.892 kg
Temperature range from	-25 °C
Temperature range to	70 °C
Tread & tyre hardness	92° Shore A
Bearing type	

Rolling resistance	<input checked="" type="checkbox"/> <input checked="" type="checkbox"/> <input checked="" type="checkbox"/> <input checked="" type="checkbox"/> <input type="checkbox"/>
Operating noise	<input checked="" type="checkbox"/> <input checked="" type="checkbox"/> <input checked="" type="checkbox"/> <input type="checkbox"/> <input type="checkbox"/>
Floor surface preservation	<input checked="" type="checkbox"/> <input checked="" type="checkbox"/> <input checked="" type="checkbox"/> <input type="checkbox"/> <input type="checkbox"/>