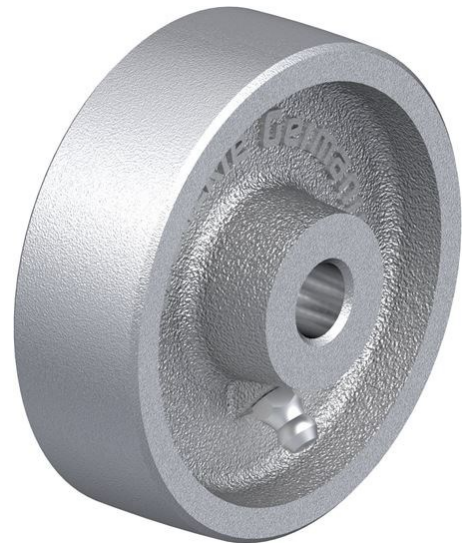


G 80/12G

Cast iron wheel

EAN 4047526007560
 ID 7567
 Customs tariff number 83022000



Wheel:

- rugged grey cast iron, hardness 180–220 HB
- with grease nipple
- extremely low rolling and swivel resistance
- outstanding wear resistance
- machined tread and edges
- lacquered, colour silver

Other features:

- chemical resistance to many aggressive substances
- consider the surface pressure on sensitive floors due to high point loads
- provide adequate lubrication on a regular basis for plain bore version
- to be lubricated according to the application temperature
- electrical conductivity (ohmic resistance) $\leq 10^4 \Omega$

Technical data:

Wheel Ø (D)	⊕	80 mm
Wheel width	∩	25 mm
Load capacity at 4 km/h	⊕	250 kg
Load capacity at +70° C	⊕	250 kg
Load capacity at +300° C	⊕	200 kg
Load capacity (static)	⊕	625 kg
Bearing type	⊙	plain bore
Axle bore Ø (d)		12 mm
Hub keyway (T1)	∩	35 mm
Temperature resistance min		-100 °C
Temperature resistance max		600 °C
Tread and tyre hardness		180–220 HB
Unit weight	⊕	0.571 kg
Non-marking		✗
Electrically conductive	⊕	✓
Antistatic	⊕	✗
Corrosion-resistant		✗
Heat-resistant	⊕	✓
Non-staining		✓
Tread hydrolysis-resistant		✗
Suitable for autoclaves		✗

Tread and tyre hardness

■■■■■ 180–220 HB

Rolling resistance

■■■■■ excellent

Wear resistance

■■■■■ excellent

Operating noise / floor surface preservation

■□□□□ sufficient

