

EA986SC-100



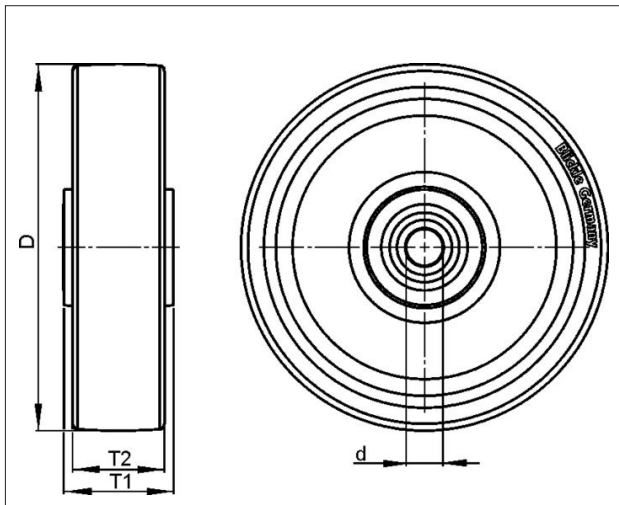
EAN: 4047526584870

ID: 584870

Extra heavy duty solid steel wheel



**Tyre & running tread:** Made of mild steel, with slightly crowned tread and lightly oiled surface, very low rolling and swivelling resistance, smooth running performance on even floors, extremely wear-resistant, particularly high static and dynamic load capacity. Tread colour: silver

**Rim / wheel centre:** -



Technical data

Wheel Ø (D)	100 mm
Wheel width (T2)	40 mm
Load capacity	1700 kg
Axle bore Ø (d)	25 mm
Hub length (T1)	45 mm
Unit weight	2.052 kg
Temperature range from	-25 °C
Temperature range to	120 °C
Tread & tyre hardness	190 - 230 HB
Bearing type	

Rolling resistance	
Operating noise	
Floor surface preservation	