

EA986SC-250



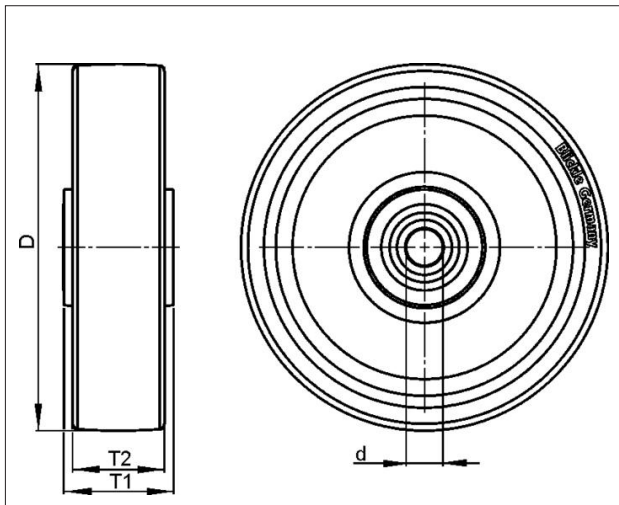
EAN: 4047526608293

ID: 608299

Extra heavy duty solid steel wheel



Tyre & running tread: Made of mild steel, with slightly crowned tread and lightly oiled surface, very low rolling and swivelling resistance, smooth running performance on even floors, extremely wear-resistant, particularly high static and dynamic load capacity. Tread colour: silver

Rim / wheel centre: -



Technical data

Wheel Ø (D)	250 mm
Wheel width (T2)	65 mm
Load capacity	10000 kg
Axle bore Ø (d)	70 mm
Hub length (T1)	75 mm
Unit weight	21.77 kg
Temperature range from	-25 °C
Temperature range to	120 °C
Tread & tyre hardness	190 - 230 HB
Bearing type	

Rolling resistance	
Operating noise	
Floor surface preservation	