

Product Data Sheet



SPKVS 100K

EAN 4047526608316

ID 608315

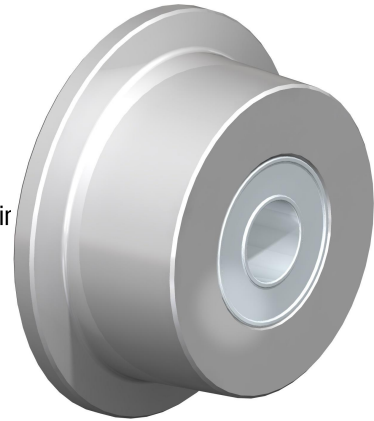
Solid steel flanged wheel

Wheels:

Made of mild steel, with lightly oiled surface, tread with horizontal taper of 3°, very low rolling resistance, extremely wear-resistant, particularly high static and dynamic load capacity.

Tread colours: silver

Wheel centre/rim: -



Rolling resistance

■ ■ ■ ■ ■ Excellent

Operating noise

■ □ □ □ □ Sufficient

Floor surface preservation

■ □ □ □ □ Sufficient

Product Data Sheet



Technical data

Wheel Ø w/o flange		100 mm (D)
Wheel Ø incl. flange		125 mm (D1)
Wheel width		50 mm (T2)
Tread width		40 mm (T3)
Load capacity		1200 kg
Axle bore Ø		25 mm (d)
Hub length		50 mm (T1)
unit weight		2,8 kg
Temperature resistance		-25 ° C
Temperature resistance to		120 ° C
tread and tyre hardness		190 - 230 HB
Bearing type		Ball bearing

