

EA986SF-150

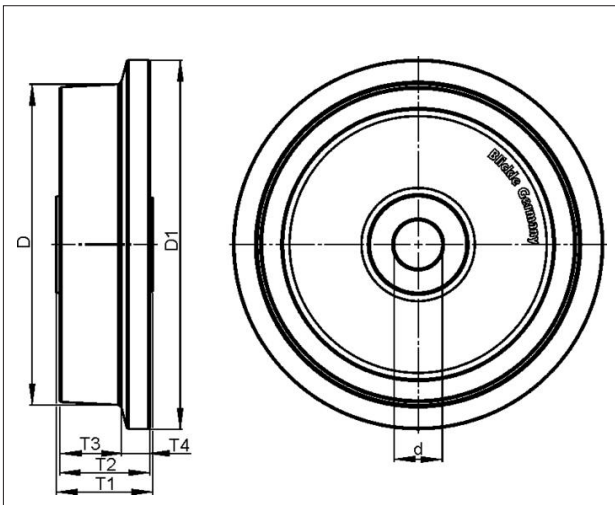


EAN: 4047526608323

ID: 608323

Solid steel flanged wheel

Tyre & running tread: Made of mild steel, with lightly oiled surface, tread with horizontal taper of 3°, very low rolling resistance, extremely wear-resistant, particularly high static and dynamic load capacity. Tread colour: silver
Rim / wheel centre: -



Technical data

Wheel Ø (D)	150 mm
Wheel Ø incl. flange (D1)	180 mm
Wheel width (T2)	60 mm
Tread width without flange (T3)	48 mm
Load capacity	2000 kg
Axle bore Ø (d)	30 mm
Hub length (T1)	60 mm
Unit weight	7.8 kg
Temperature range from	-25 °C
Temperature range to	120 °C
Tread & tyre hardness	190 - 230 HB
Bearing type	

Rolling resistance	
Operating noise	
Floor surface preservation	

Blickle Räder+Rollen GmbH u. Co. KG

Heinrich-Blickle-Straße 1 · 72348 Rosenfeld · Germany
 Telefon: +49 7428 932-0 · Telefax: +49 7428 932-209
 E-Mail: info@blickle.com · Internet: www.blickle.com

© Blickle Räder+Rollen GmbH u. Co. KG 2013
 Rosenfeld · Germany