

EA986SG-150

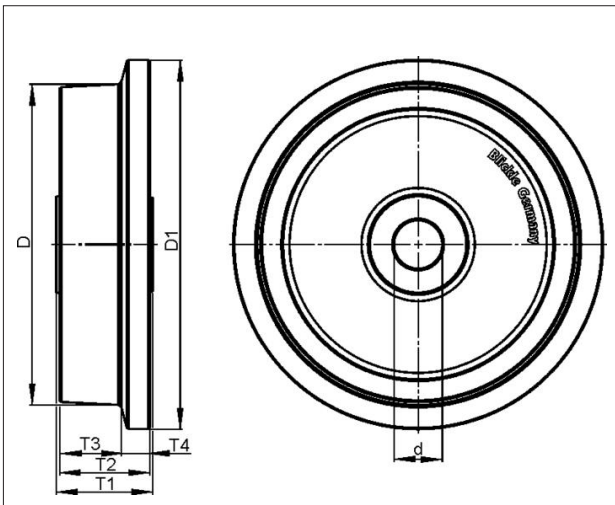


EAN: 4047526607739

ID: 607739

Cast nylon flanged wheel

Tyre & running tread: Made of mild steel, with lightly oiled surface, V-shaped tread (for angular steel), extremely low rolling resistance, extremely wear-resistant, particularly high static and dynamic load capacity. Tread colour: natural beige
Rim / wheel centre: -



Technical data

Wheel Ø (D)	150 mm
Wheel Ø incl. flange (D1)	175 mm
Wheel width (T2)	46 mm
Tread width without flange (T3)	36 mm
Flange length (T4)	13 mm
Load capacity	900 kg
Axle bore Ø (d)	20 mm
Hub length (T1)	52 mm
Unit weight	1.173 kg
Temperature range from	-25 °C
Temperature range to	80 °C
Tread & tyre hardness	80° Shore D
Bearing type	

Rolling resistance



Operating noise



Floor surface preservation

