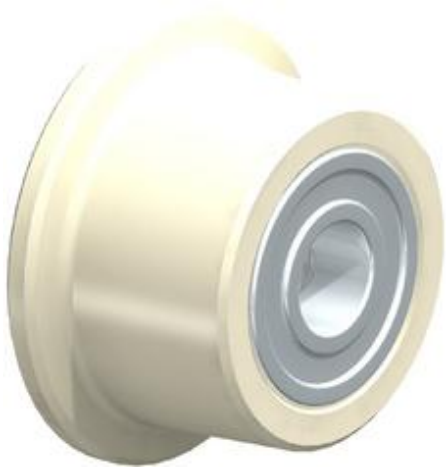


EA986SG-50

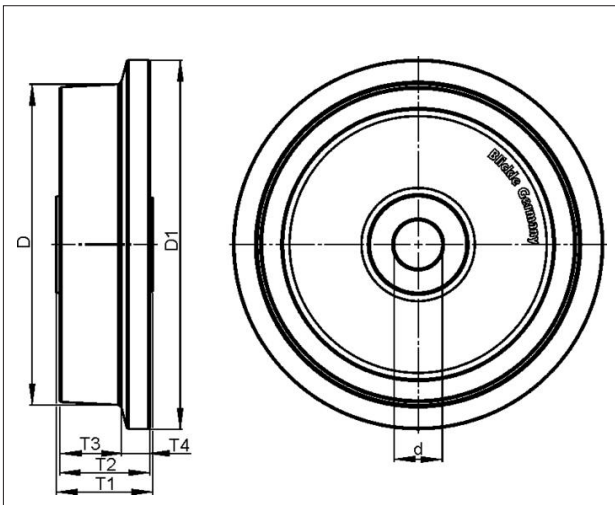


EAN: 4047526448806

ID: 448803

Cast nylon flanged wheel

Tyre & running tread: Made of mild steel, with lightly oiled surface, V-shaped tread (for angular steel), extremely low rolling resistance, extremely wear-resistant, particularly high static and dynamic load capacity. Tread colour: natural beige
Rim / wheel centre: -



Technical data

| | |
|---------------------------------|-------------|
| Wheel Ø (D) | 50 mm |
| Wheel Ø incl. flange (D1) | 62 mm |
| Wheel width (T2) | 32 mm |
| Tread width without flange (T3) | 26 mm |
| Flange length (T4) | 6 mm |
| Load capacity | 220 kg |
| Axle bore Ø (d) | 15 mm |
| Hub length (T1) | 32 mm |
| Unit weight | 0.14 kg |
| Temperature range from | -25 °C |
| Temperature range to | 80 °C |
| Tread & tyre hardness | 80° Shore D |
| Bearing type | |

Rolling resistance



Operating noise



Floor surface preservation

