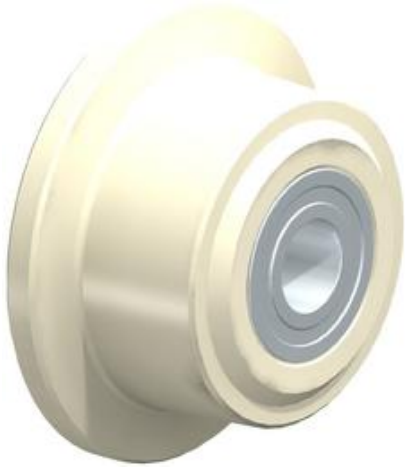


EA986SG-75

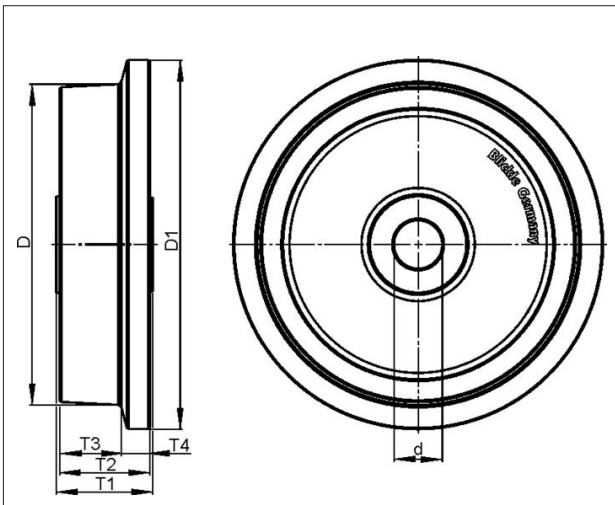


EAN: 4047526461577

ID: 461574

Cast nylon flanged wheel

Tyre & running tread: Made of mild steel, with lightly oiled surface, V-shaped tread (for angular steel), extremely low rolling resistance, extremely wear-resistant, particularly high static and dynamic load capacity. Tread colour: natural beige
Rim / wheel centre: -



Technical data

Wheel Ø (D)	75 mm
Wheel Ø incl. flange (D1)	100 mm
Wheel width (T2)	40 mm
Tread width without flange (T3)	30 mm
Flange length (T4)	13,5 mm
Load capacity	380 kg
Axle bore Ø (d)	20 mm
Hub length (T1)	47 mm
Unit weight	0.364 kg
Temperature range from	-25 °C
Temperature range to	80 °C
Tread & tyre hardness	80° Shore D
Bearing type	

Rolling resistance



Operating noise



Floor surface preservation

