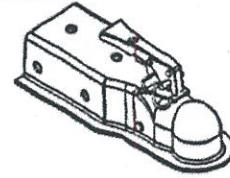




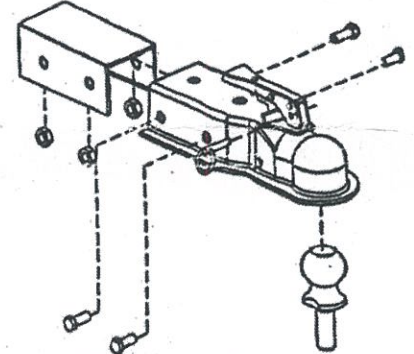
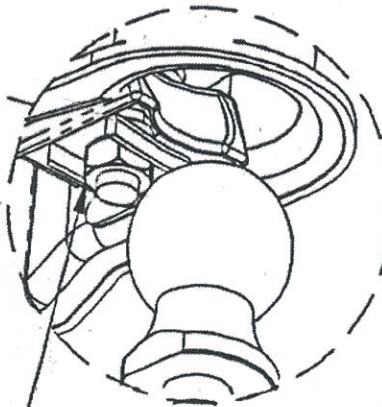
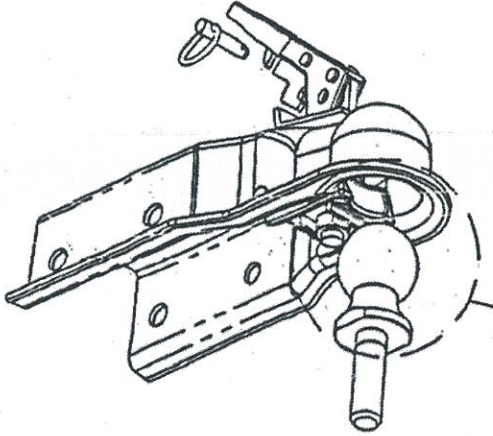
SUNCOR
 STAINLESS INC.
 PLYMOUTH, MA 02360

**TRAILER COUPLER
 INSTALLATION
 AND SERVICE INSTRUCTIONS**



APPROVALS	DATE
DRAWN JSTORRER	10-12-04

TRAILER COUPLING S0265-4750, 4765, 5050, 5065, 5075 TYPE 304 S/S



DANGER!! BEFORE USING!!

BE SURE TO TIGHTEN LOCKNUT WITH DEEP WELL SOCKET, COMPRESSING SPRING, THEN BACK OFF APPROX. ONE TURN. PLACE CORRECT BALL IN COUPLER AND TEST TO BE SURE IT IS TIGHT! BALL SHOULD BE ABLE TO ROTATE BUT NOT BE LOOSE! LUBRICATE BALL.

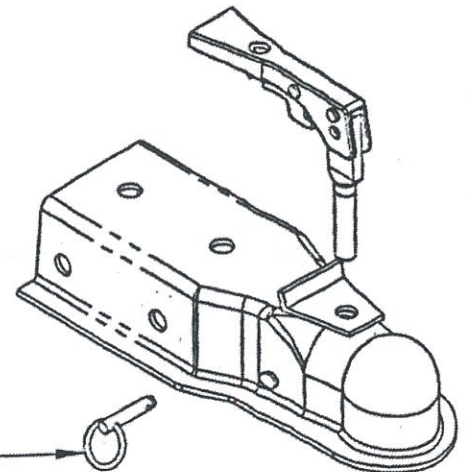
BOLT ON INSTRUCTIONS:
 1. ASSURE COUPLER IS ON TRAILER TONGUE AS DEEP AS POSSIBLE.
 2. USE (4) 3/8" GRADE 5 BOLTS AND NUTS. TORQUE TO 20 FT/LBS.

ALTERNATIVE: WELDING:
 1. ALL WELDING SHOULD BE DONE BY QUALIFIED PERSONNEL USING APPROPRIATE MATERIALS AND EQUIPMENT.
 2. BE SURE COUPLER IS NOT DISTORTED AND FUNCTIONS AFTER WELDING!

BEFORE TOWING:

1. BE SURE HITCH BALL AND COUPLER ARE IN GOOD CONDITION AND TIGHT.
2. USE MATCHING BALL AND COUPLER SIZES ONLY!
3. BE SURE LEVER IS TIGHT AND BALL IS IN PLACE. **NEVER** USE WITHOUT QUICK RELEASE PIN. RECHECK TIGHTNESS OCCASIONALLY.
4. BE SURE ALL CHAINS AND TRAILER EQUIPMENT ARE IN WORKING ORDER. BE SURE THAT ALL LIGHTING WORKS.

ALWAYS USE WITH QUICK RELEASE PIN!!



BE SURE ALL PARTS ARE IN PLACE AND TIGHT !!!!

