

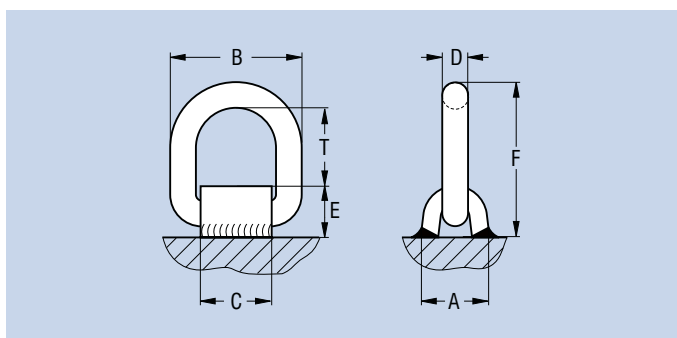
Welding points

Welding eye

With quadruple protection against breakage in all load directions.
Ring painted red.

Grade 80

Material of the welding eye holder ST 52-3.



	WLL kg	Weight approx. kg	Dimensions in mm							Reference no.
			A	B	C	D	E	F	T	
EA987GB-1	1120	0.4	35	56	36	13	39	89	37	146454
EA987GB-2	2000	0.4	37	70	38	14	40	92	38	146455
EA987GB-3	3150	0.8	49	79	42	17	43	106	46	120637
EA987GB-4	5300	1.6	60	99	50	22	60	135	53	120638
EA987GB-5	8000	2.6	75	122	65	26	71	164	67	120639
EA987GB-6	15000	5.4	90	165	90	34	90	216	92	120640

Maximum load weights G in tonnes with different types of attachment

Type of attachment Suspension arrangement										
Number of lifting points	1	1	2	2	2 symmetrically		3 & 4 symmetrically		2	3 & 4
Inclination angle	0°	90°	0°	90°	0-45°	45-60°	0-45°	45-60°	asymm.	asymm.
146454 EA987GB-1	1.60	1.12	3.2	2.24	1.50	1.12	2.36	1.60	1.12	1.12
146455 EA987GB-2	3.00	2.00	6.0	4.00	2.80	2.00	4.00	3.00	2.00	2.00
120637 EA987GB-3	4.75	3.15	9.5	6.30	4.25	3.15	6.30	4.75	3.15	3.15
120638 EA987GB-4	8.00	5.30	16.0	10.60	7.10	5.30	11.20	8.00	5.30	5.30
120639 EA987GB-5	12.00	8.00	24.0	16.00	11.20	8.00	16.00	12.00	8.00	8.00
120640 EA987GB-6	22.40	15.00	45.0	30.00	21.20	15.00	31.50	22.40	15.00	15.00

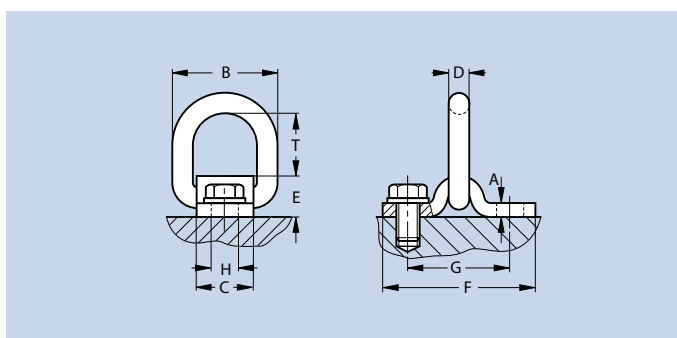
Bolt-on eye

With quadruple protection against breakage in all load directions.
Ring painted red.

Grade 80

Bolts are not included in the scope of supply.

CAUTION: The minimum quality of the hexagonal-head bolts to be used according to DIN EN 4017 (DIN 933) is 8.8 crack-tested (at 3150/5000/8000 kg) and 10.9 crack-tested (at 15000/20000/25000 kg).



	WLL kg	Weight approx. kg	Dimensions in mm								Refer- ence no.	
			A	B	C	D	E	F	G	H		T
EA987GB-12	3150	1.15	12	92	50	18	34	130	90	21	53	120641
	5300	2.00	15	111	60	22	42	160	110	25	63	120642
	8000	3.80	20	132	70	26	55	190	130	28	68	120643
	15000	7.40	40	139	72	32	90	255	175	39	110	201655
	20000	15.10	50	180	90	40	116	295	200	45	140	201656
	25000	15.10	50	180	90	40	116	295	200	45	140	201657

Weld-on eye Compact, space-saving design

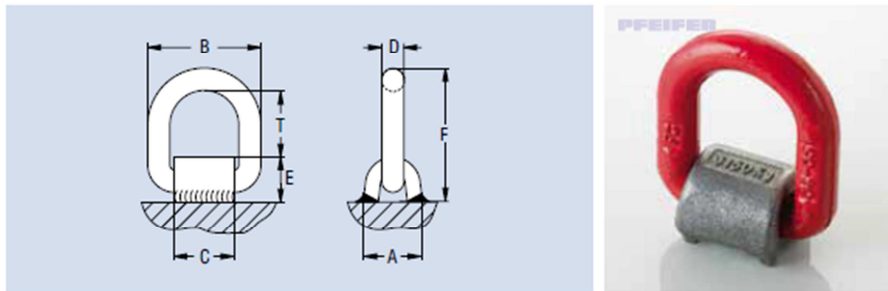
Grade 80

Load ring 180° tiltable and loadable from 0° to +/- 45°

Safety factor 4:1

Temperature range: - 20°C to + 200°C
- reduced load bearing capacities outside this range

The stirrup must be aligned to the pulling direction; it must be freely movable and may not rest on edges or on the lifting point.



WLL kg	Dimensions in mm							Weight approx. kg	Reference no.
	A	B	C	D	E	F	T		
1120	35	56	36	13	39	89	37	0,38	146454
2000	37	70	38	14	40	92	38	0,46	146455
3150	49	79	42	17	43	106	46	0,69	120637
5300	60	99	50	22	60	135	53	1,42	120638
8000	75	122	65	26	71	164	67	2,54	120639
15000	90	165	90	34	90	216	92	5,90	120640
37500	135	274	140	52	160	327	175	22,00	255644

Available on request: lockable stirrup with spring; with individually engraved serial number

Maximum transport weights „G“ in „tonnes“ with different types of attachment

Type of attachment Suspension arrangement										
Number of legs	1	1	2	2	2 symmetrical		3 & 4 symmetrical		2	3 & 4
Angle of inclination	0°	90°	0°	90°	0-45°	45-60°	0-45°	45-60°	asymm.	asymm.
EA987GB-1 146454	1,6	1,12	3,2	2,24	1,5	1,12	2,36	1,6	1,12	1,12
EA987GB-2 146455	3,0	2,0	6,0	4,0	2,8	2,0	4,0	3,0	2,0	2,0
EA987GB-3 120637	4,75	3,15	9,5	6,3	4,25	3,15	6,3	4,75	3,15	3,15
EA987GB-4 120638	8,0	5,3	16,0	10,6	7,1	5,3	11,2	8,0	5,3	5,3
120639	12,0	8,0	24,0	16,0	11,2	8,0	16,0	12,0	8,0	8,0
EA987GB-6 120640	22,4	15,0	45,0	30,0	21,2	15,0	31,5	22,4	15,0	15,0
255644	37,5	37,5	75,0	75,0	52,5	37,5	78,7	56,2	37,5	37,5