

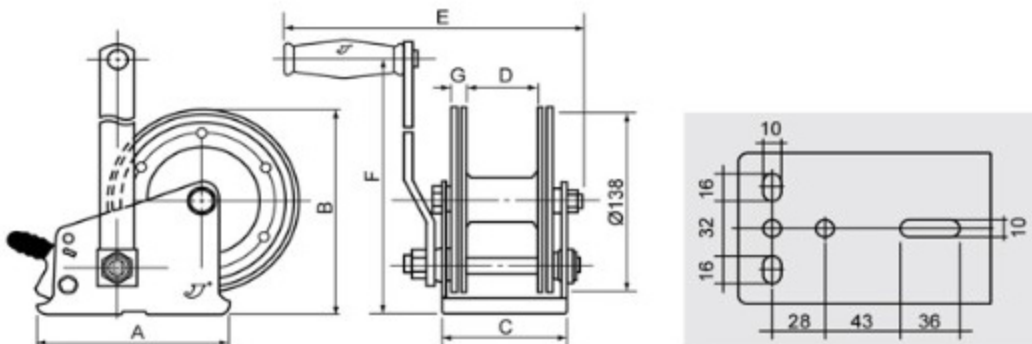


NAME: Stainless Steel Winch

MODEL: W06-508-9

Product Description:

- *Stainless Steel
- *Solid gear construction
- *Precise gear tooth engagement
- *Dual drive enhances pulling ability by distributing the load equally
- *Ergonomic handle design



ITEM NO	CAPACITY	GEAR	GEAR RATIO	A	B	C	D	E	F	G
W06-508-9	850lbs / 385kgs	Single	3 : 1	123	120	89	51	250	185	9