



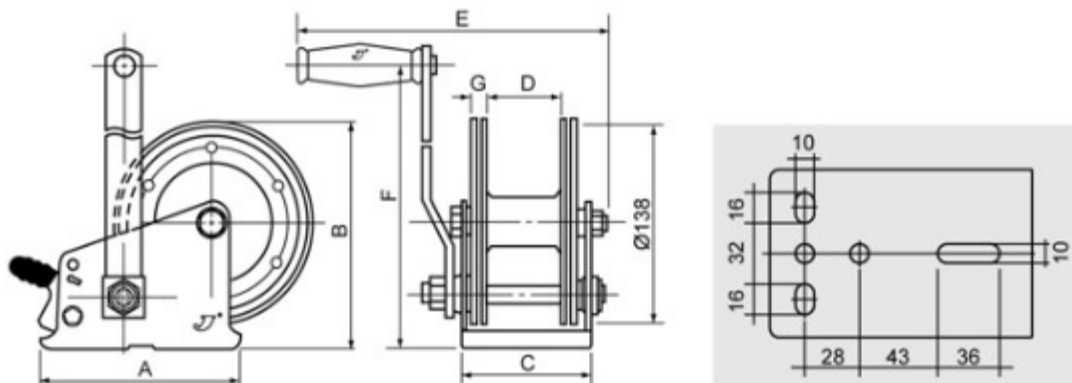
**EA989SC-21**

**NAME: Stainless Steel Winch**

**MODEL: W06-512-9**

**Product Description:**

- \*Stainless Steel
- \*Solid gear construction
- \*Precise gear tooth engagement
- \*Dual drive enhances pulling ability by distributing the load equally
- \*Ergonomic handle design



ITEM NO	CAPACITY	GEAR	GEAR RATIO	A	B	C	D	E	F	G
W06-D512-9	1200lbs / 545kgs	Single	4.1 : 1	137	153	89	51	244	228	9